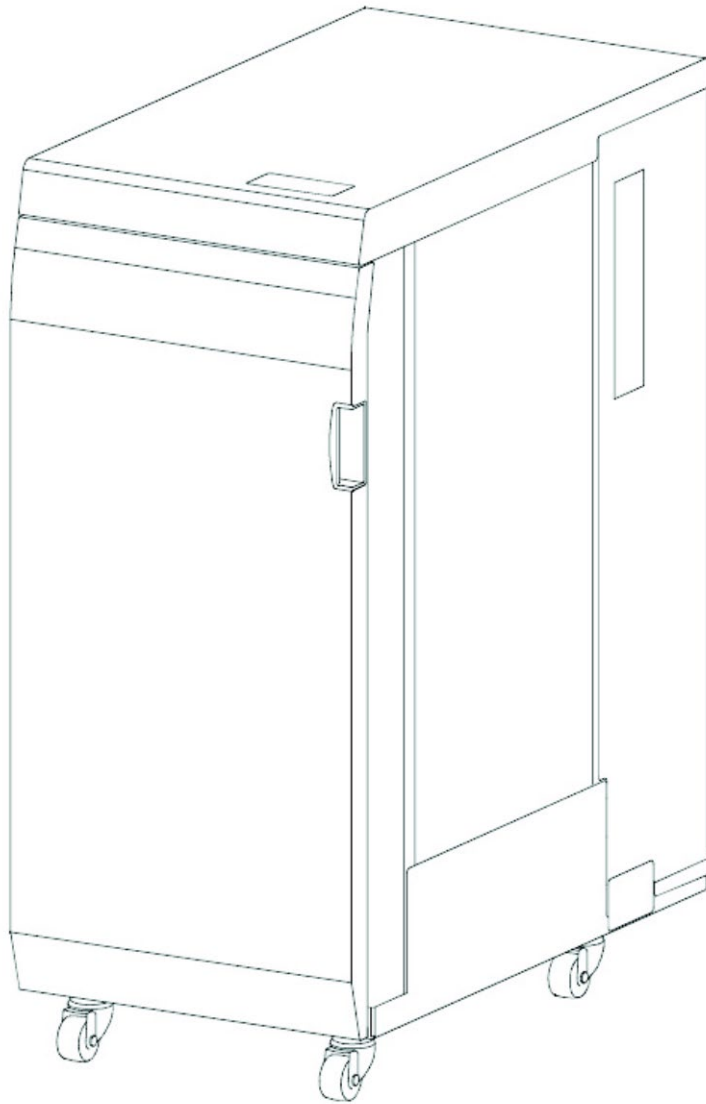


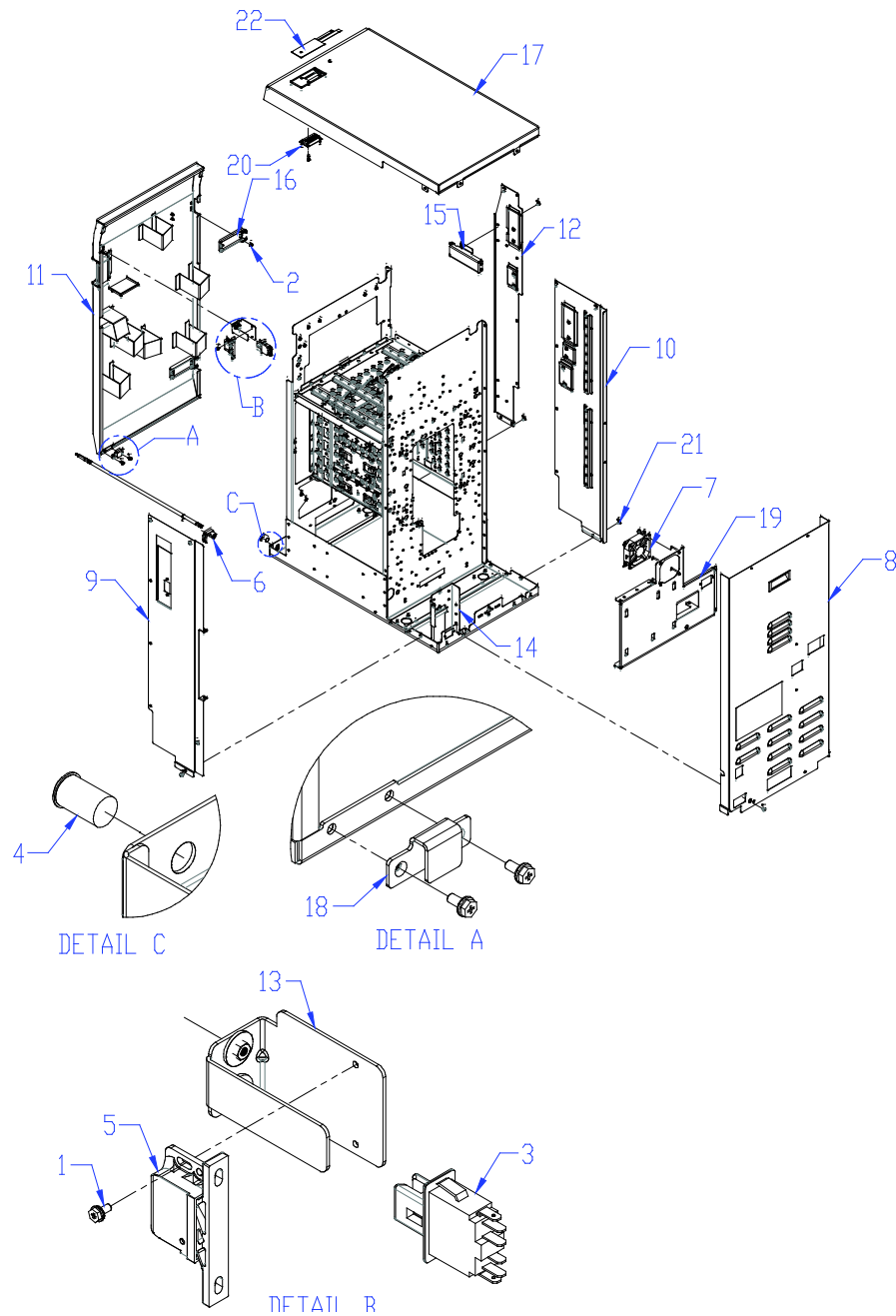
Main Assembly

PL 1.1. Final Assembly



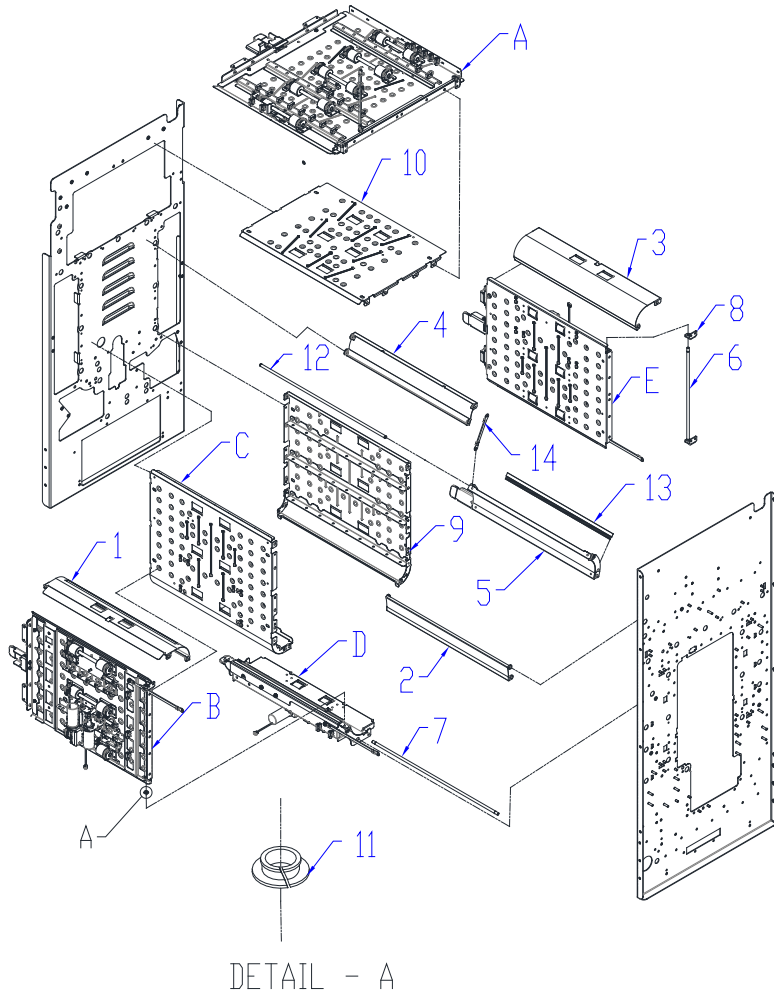
ITEM	Part #	DESCRIPTION
1	7715000	MULTI FUNCTION PROFESSIONAL PUNCHER- A1, 115V
	7715300	MULTI FUNCTION PROFESSIONAL PUNCHER-A1, 230V
2	7718750	MULTI FUNCTION PROFESSIONAL PUNCHER- B1, 115V
	7718760	MULTI FUNCTION PROFESSIONAL PUNCHER-B1, 230V

PL 1.2. Cabinet – Covers



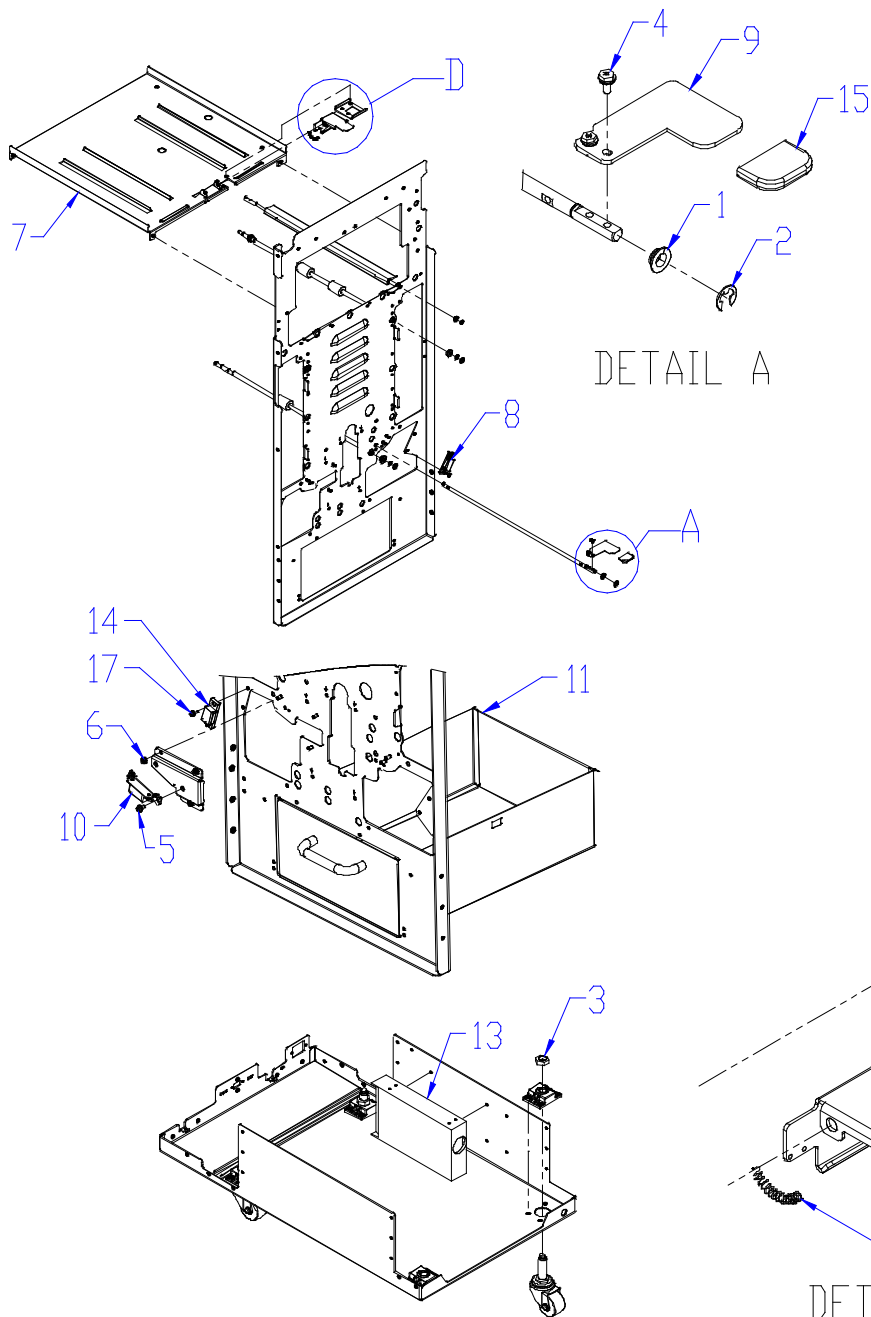
ITEM	GBC Part #	Canon Part#	DESCRIPTION	QTY
1	1823901	FC3-6897-000	SCREW, PHILLIPS HX HD W/SEMS, M3X6	5
2	1824001	FC3-6904-000	NUT, KEPS M4	15
3	7610501	FC3-3725-000	INTERLOCK SWITCH	1
4	7706447	FC3-3775-000	MAGNET, FRONT DOOR	1
5	7706486	FC3-3787-000	LATCH, PUSH TO CLOSE	1
6	7708226	FC3-3884-000	LOCK CLAW	2
7	7715267	FC3-6967-000	FAN, EXHAUST	1
8	7715297	FC3-6970-000	COVER, REAR, ASSEMBLY	1
9	7715298	FC3-6971-000	COVER, SIDE, UPSTREAM, REAR,	1
10	7715303	FC3-6972-000	COVER, SIDE, DOWNSTREAM, REAR	1
11	7715314	FC3-6973-000	FRONT DOOR ASSEMBLY	1
12	7715316	FC3-6974-000	COVER, SIDE, DOWNSTREAM, FRONT	1
13	7715325	FC3-6976-000	BRACKET, INTERLOCK, FRONT DOOR	1
14	7715328	FC3-6977-000	BRACKET, MOUNT, ELCB	1
15	7715349	FC3-6980-000	BRACKET, FRONT DOOR MOUNT	2
16	7715351	FC3-6981-000	BRACKET, FRONT DOOR HINGE	2
17	7715354	FC3-6982-000	COVER, TOP, ASSEMBLY	1
18	7715357	FC3-6983-000	BRACKET, DOOR, MAGNET,	1
19	7715364	FC3-6986-000	BRACKET, TRANSCEIVER, OPCON, FAN	1
20	7715527	FC3-7028-000	LCD, DISPLAY,	1
21	7715632	FC3-7044-000	SCREW, ROUND TIP, PHILLIPS, M4 X 8	38
22	7715641	FC3-7050-000	PANEL, LCD MEMBRANE SWITCH	1

PL 2.1. Frame Assembly – Paper Path Panels



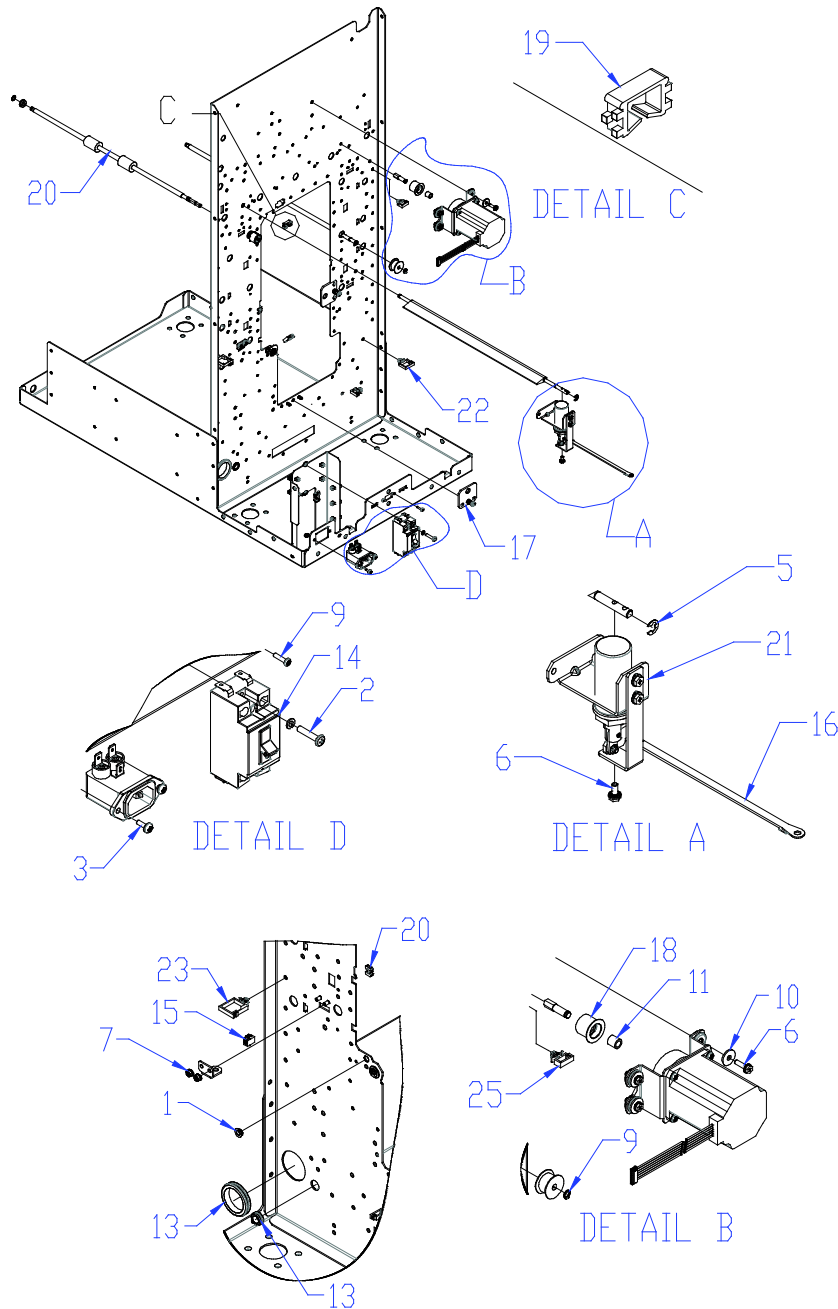
ITEM	GBC Part #	Canon Part #	DESCRIPTION	QTY
A	PL 3.5		UPPER BYPASS PANEL	1
B	PL 3.2		ENTRANCE IDLER PANEL	1
C	PL 3.1		ENTRANCE DRIVE PANEL	1
D	PL 3.3		ACCELERATION IDLER PANEL	1
E	PL 3.4		EXIT IDLER PANEL	1
1	7715101	FC3-6936-000	PANEL, ENTRANCE, LOWER	1
2	7715102	FC3-6937-000	PANEL, ENTRANCE, INNER	1
3	7715146	FC3-6940-000	PANEL, EXIT, LOWER	1
4	7715153	FC3-6941-000	PANEL, EXIT, INNER	1
5	7718629	FC3-7454-000	PANEL ASSEMBLY, LOWER, FRONT REMOVE, EXIT	1
6	7715209	FC3-6952-000	SHAFT, IDLER PANEL HINGE	2
7	7715210	FC3-6953-000	SHAFT, IDLER PANEL HINGE, LONG	2
8	7715251	FC3-6966-000	BRACKET, IDLER PANEL MOUNT	6
9	7715927	FC3-7091-000	PANEL WELDMENT, DRIVE, EXIT	1
10	7715929	FC3-7092-000	PANEL WELDMENT, BYPASS, LOWER	1
11	1821209	FC3-6872-000	SNAP-IN BEARING, 6MM ID [Qty. (2) used on all Idler panels- #A, #B, #D, #E and #5	10
12	7718619	FC3-7451-000	SHAFT, IDLER PANEL HINGE, OFFSET GROOVE, LONG	1
13	7718593	FC3-7448-000	BRUSH, ANTI STATIC, SUS, LONG	1
14	7718630	FC3-7455-000	GROUND STRAP, SHORT, M4	1

PL 2.2. Frame Assembly – Front Side



ITEM	GBC Part #	Canon Part #	DESCRIPTION	QTY
1	1821209	FC3-6872-000	Snap-in Bearing, 6mm ID	2
2	1822202	FC3-6891-000	E-RING, JE-5	4
3	1823709	FC3-6896-000	JAM NUT, M16X2.0	4
4	1823901	FC3-6897-000	SCREW, PHILLIPS HX HD W/SEMS, M3 X 6	2
5	1823909	FC3-6900-000	SCREW, PHILLIPS HX HD W/SEMS M4 X 6	2
6	1824001	FC3-6904-000	NUT, KEPS M4	3
7	7715184	FC3-6945-000	DIE RACK	1
8	7715195	FC3-6948-000	MAGNET, PANEL, OPEN, STRONG	1
9	7715215	FC3-6955-000	HANDLE, ACCEL IDLER LATCH	1
10	7715385	FC3-6994-000	MAGNET, BRACKET, ASSY	1
11	7715618	FC3-7040-000	CHIP TRAY, ASSEMBLY	1
12	7715635	FC3-7046-000	LATCH, UPPER BYPASS OPEN	1
13	7715637	FC3-7047-000	POWER SUPPLY, 24V, MW SP 480,	1
14	7715789	FC3-7067-000	MAGNET, PANEL, OPEN, WEAK	3
15	7715824	FC3-7074-000	CAP, RUBBER, RAIN BLUE	2
16	7715840	FC3-7077-000	PLATE, UPPER BYPASS, RELEASE LATCH	1
17	1823913	FC3-6903-000	SCREW, PHILLIPS HX HD W/SEMS, M3 X 8	8
18	7715379	FC3-6990-000	SPRING, STEERING IDLER ROLLERS	2

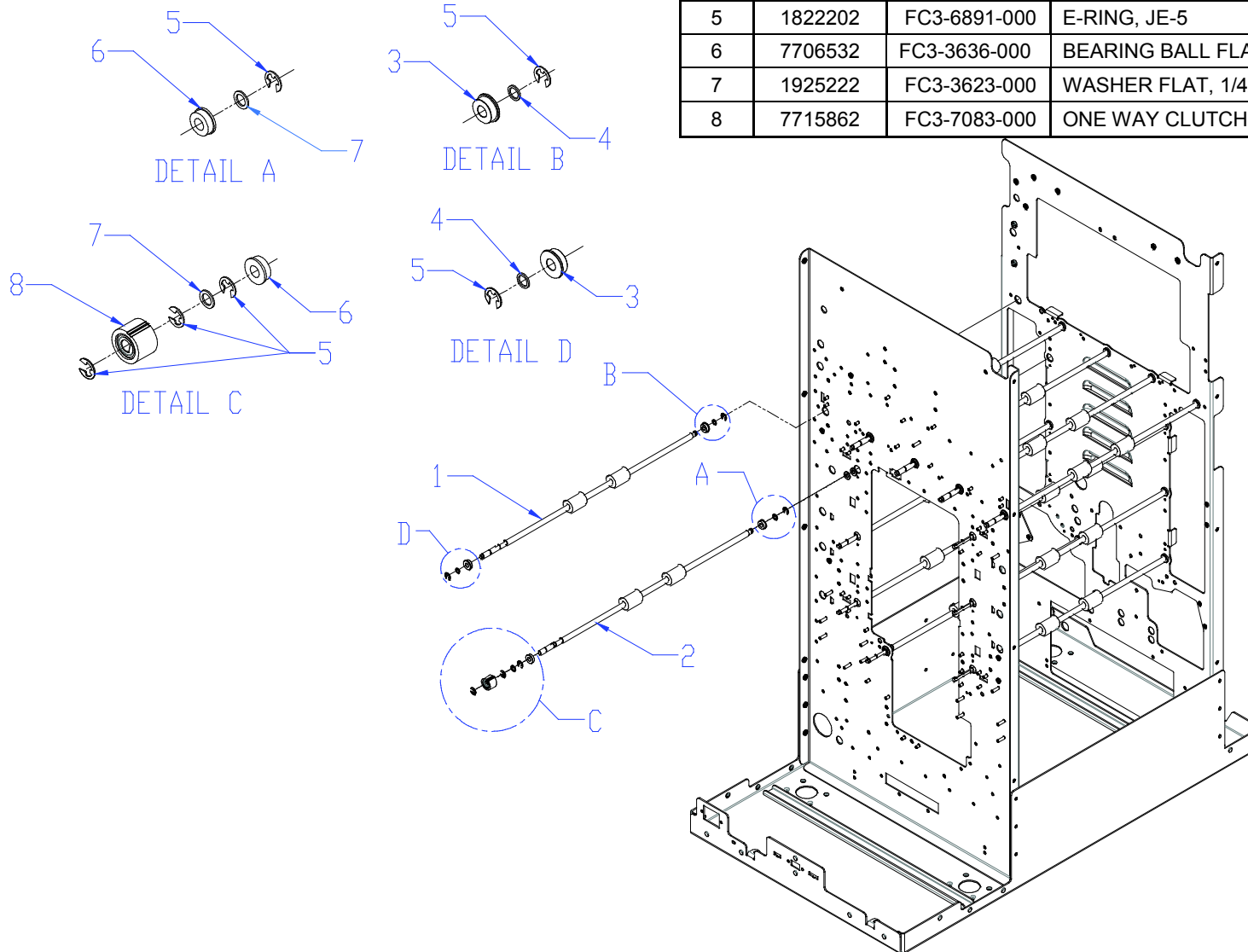
PL 2.3. Frame Assembly – Rear Side



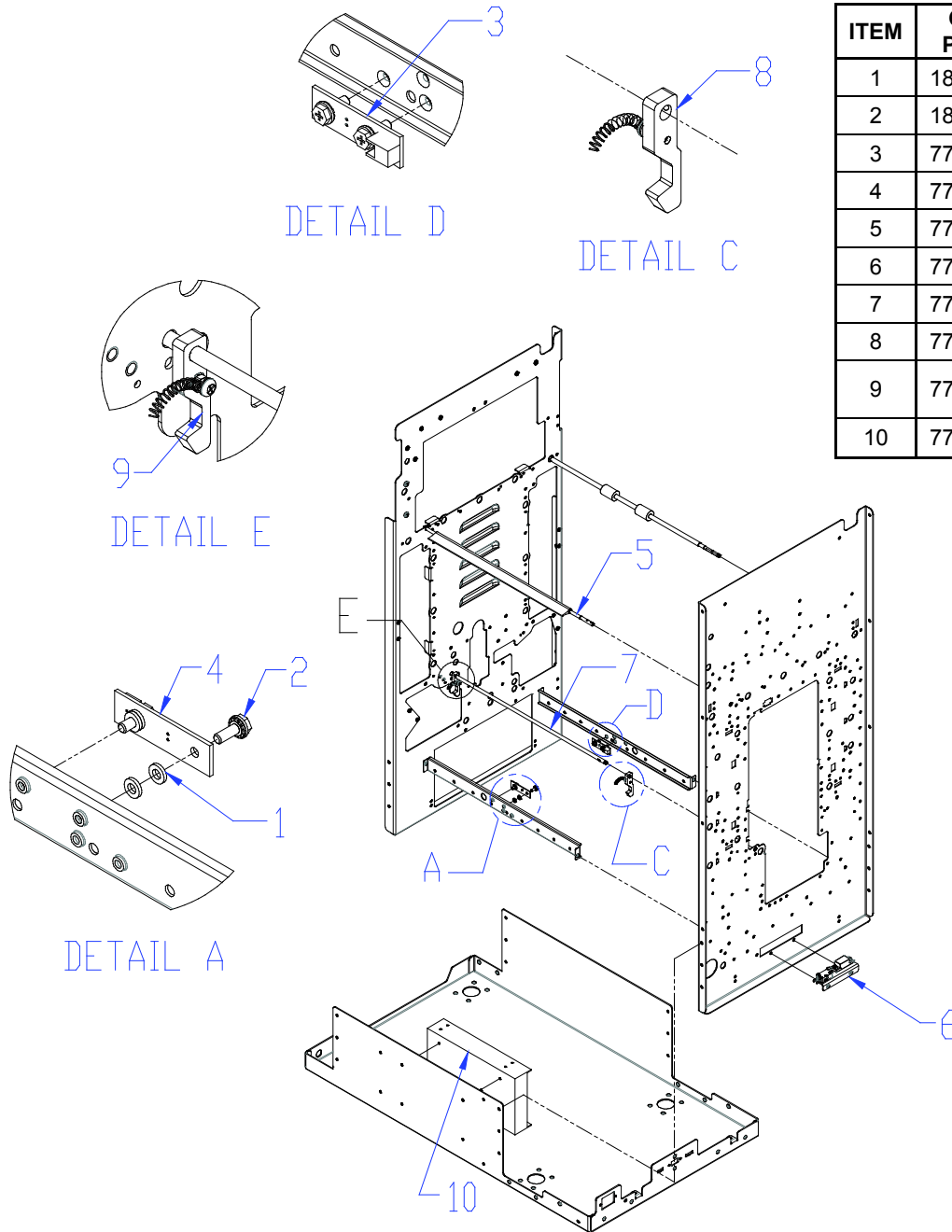
ITEM	GBC Part #	Canon Part #	DESCRIPTION	QTY
1	1821209	FC3-6872-000	Snap-in Bearing, 6mm ID	2
2	1821607	FC3-6878-000	SCREW, PHILIPS PAN HD M4X20	2
3	1821611	FC3-6879-000	SCREW, PHILLIPS HD W/SEMS, M3X10	2
4	1822005	FC3-6885-000	WASHER, FLAT, 6.025 X 8 X 0.75	2
5	1822202	FC3-6891-000	E-RING, JE-5	7
6	1823910	FC3-6901-000	SCREW, PHILLIPS HX HD W/SEMS M4 X 14	1
7	1824001	FC3-6904-000	NUT, KEPS M4	32
8	1825501	FC3-6909-000	RETAINING RING, 6MM SHAFT	15
9	1902863	FC3-3618-020	SCREW, MACHINE PAN #4-40X15/32 PHILLIPS	2
10	1925044	FC3-3683-020	WSHR, .192 ID X .625 OD X .060 T	20
11	1952208	FC3-3709-000	SPACER, TIMING BELT IDLERS, BRONZE	4
12	1954011	FC3-3714-000	GROMMET, 3/8 I.D X 1/2 O.D	11
13	1954032	FC3-3715-000	GROMMET, 1 1/4 I.D. X 1 1/2 O.D.	1
14	7710392	FC3-6618-000	ELCB, 10A, MITSUBISHI	1
15	7712703	FC3-6916-000	WIRE HEADER CONNECTOR, 2 POS	6
16	7714679	FC3-6917-000	GROUND STRAP, M4	1
17	7715185	FC3-6946-000	BRACKET, PUNCH MODULE MOUNT	2
18	7715383	FC3-6993-000	ROLLER, IDLER, DRIVE ASSY,	4
19	7715390	FC3-6995-000	WIRE CLAMP, EDGE	1
20	7715445	FC3-6996-000	WIRE CLAMP, EDGE, SMALL	2
21	7715643	FC3-7051-000	SOLENOID, BRACKET, DIVERTER, SUB ASSY	1
22	7715818	FC3-7071-000	WIRE SADDLE, MEDIUM, LOCKING TOP, V-0	14
23	7715819	FC3-7072-000	WIRE SADDLE, LARGE, LOCKING TOP, V-0	7
24	7715817	FC3-7070-000	WIRE SADDLE, SMALL, LOCKING TOP, V-0	32

PL 2.4. Frame Assembly – Drive Rollers

ITEM	GBC Part #	Canon Part #	DESCRIPTION	QTY
1	7715093	FC3-6934-000	ROLLER ASSY, DRIVE (USED FOR ALL ROLLERS EXCEPT N2)	11
2	7715097	FC3-6935-000	ROLLER ASSY, ONE WAY CLUTCH DRIVE (USED IN N2 POSITION ONLY)	1
3	1821116	FC3-6870-000	BEARING, BALL, FLANGE 6X13X5, SUJ2	22
4	1822005	FC3-6885-000	WASHER, FLAT, 6.025 X 8 X 0.75	22
5	1822202	FC3-6891-000	E-RING, JE-5	26
6	7706532	FC3-3636-000	BEARING BALL FLANGE	2
7	1925222	FC3-3623-000	WASHER FLAT, 1/4X3/8X1/32	2
8	7715862	FC3-7083-000	ONE WAY CLUTCH SUB ASSY, SERVICE	1

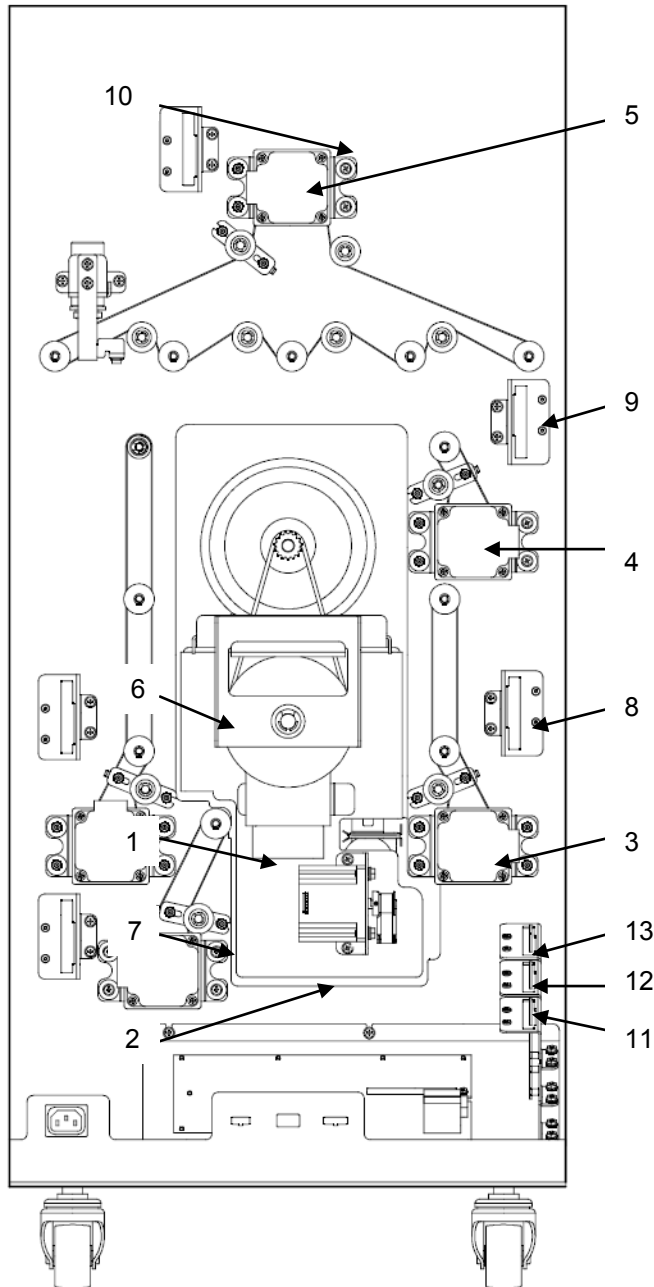


PL 2.5. Frame Assembly – Internal Parts



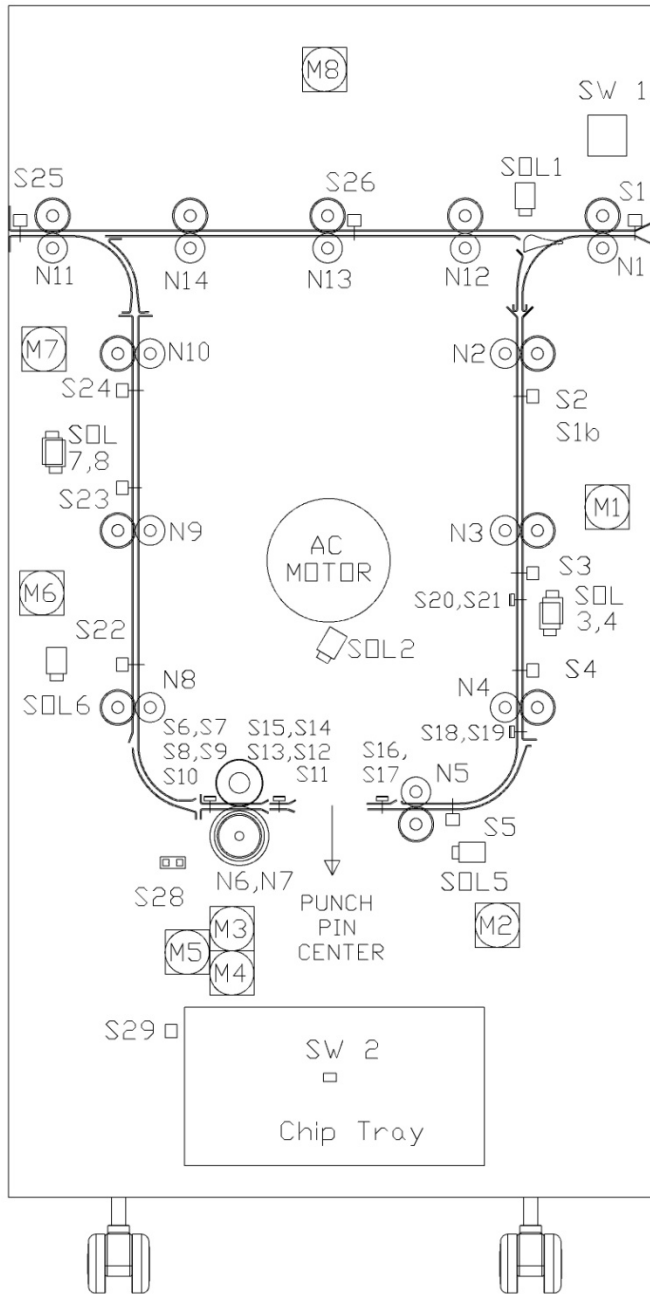
ITEM	GBC Part #	Canon Part #	DESCRIPTION	QTY
1	1822108	FC3-6888-000	WASHER, FLAT, 4.1X8X1.5	8
2	1823911	FC3-6902-000	SCREW, PHILLIPS HX HD W/SEMS M4 X 10	4
3	7711970	FC3-6914-000	EMITTER	1
4	7711973	FC3-6915-000	RECEIVER	1
5	7715131	FC3-6939-000	BYPASS DIVERTER	1
6	7715186	FC3-6947-000	CHIP TRAY SENSOR MOUNT ASSY	1
7	7715213	FC3-6954-000	SHAFT, ACCEL IDLER LATCH	1
8	7715216	FC3-6956-000	LATCH, ASSY, REAR, ACCEL IDLER PANEL	1
9	7715222	FC3-6958-000	LATCH, ASSY, FRONT, ACCEL IDLER PANEL	1
10	7715637	FC3-7047-000	POWER SUPPLY, 24V, MW SP 480,	1

PL 2.6. Frame Assembly-Motors and Drivers



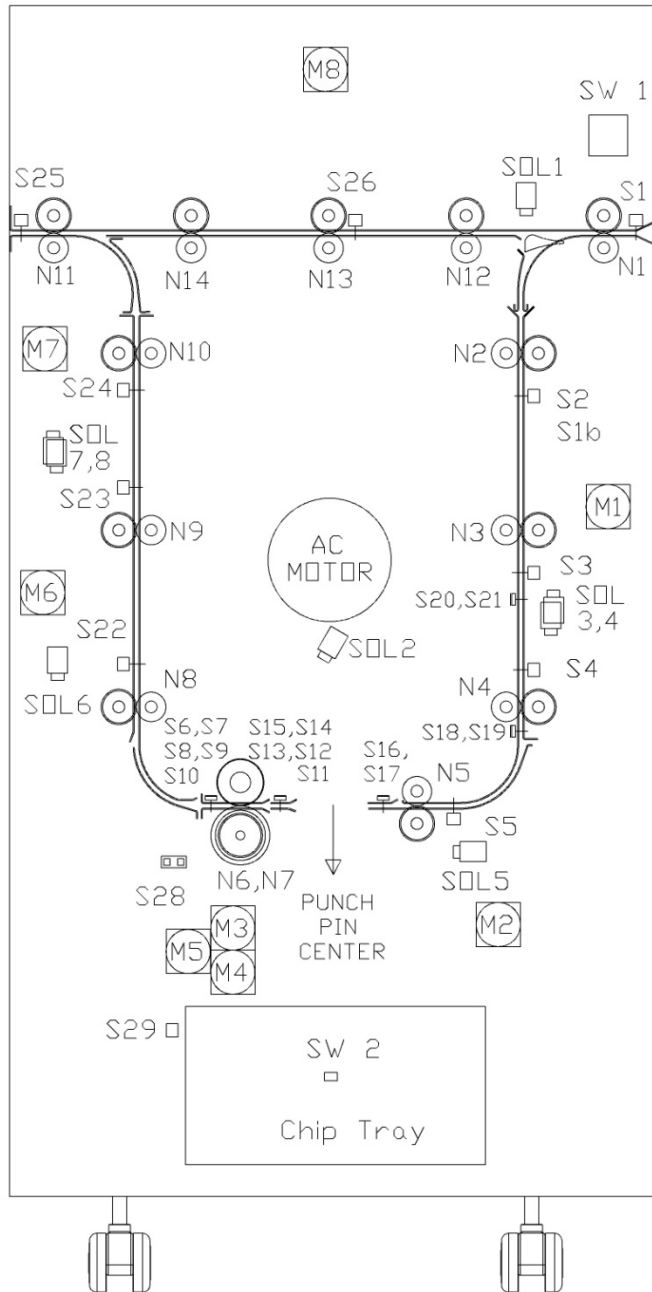
ITEM	GBC Part #	Canon Part #		DESCRIPTION	QTY
1	7715159	FC3-6943-000	M1	Entrance motor STEPPER AND MOUNT ASSEMBLY	1
2	7715159	FC3-6943-000	M2	Accel motor STEPPER AND MOUNT ASSEMBLY	1
3	7715159	FC3-6943-000	M6	Exit motor STEPPER AND MOUNT ASSEMBLY	1
4	7715159	FC3-6943-000	M7	Decel motor STEPPER AND MOUNT ASSEMBLY	1
5	7715159	FC3-6943-000	M8	Bypass motor STEPPER AND MOUNT ASSEMBLY	1
6	7715275	FC3-6968-000	DRV M1	M1 Stepper Driver DRIVER AND BRACKET ASSY, TWO PHASE	1
7	7715275	FC3-6968-000	DRV M2	M2 Stepper Driver DRIVER AND BRACKET ASSY, TWO PHASE	1
8	7715275	FC3-6968-000	DRV M6	M6 Stepper Driver DRIVER AND BRACKET ASSY, TWO PHASE	1
9	7715275	FC3-6968-000	DRV M7	M7 Stepper Driver DRIVER AND BRACKET ASSY, TWO PHASE	1
10	7715275	FC3-6968-000	DRV M8	M8 Stepper Driver DRIVER AND BRACKET ASSY, TWO PHASE	1
11	7715275	FC3-6968-000	DRV M3	M3 Stepper Driver DRIVER AND BRACKET ASSY, TWO PHASE	1
12	7715275	FC3-6968-000	DRV M4	M4 Stepper Driver DRIVER AND BRACKET ASSY, TWO PHASE	1
13	7715275	FC3-6968-000	DRV M5	M5 Stepper Driver DRIVER AND BRACKET ASSY, TWO PHASE	1
SEE PL 6.3 FOR STEPPER MOTOR M3, M4 AND M5 POSITIONS					

PL 2.7. Frame Assembly- Sensors



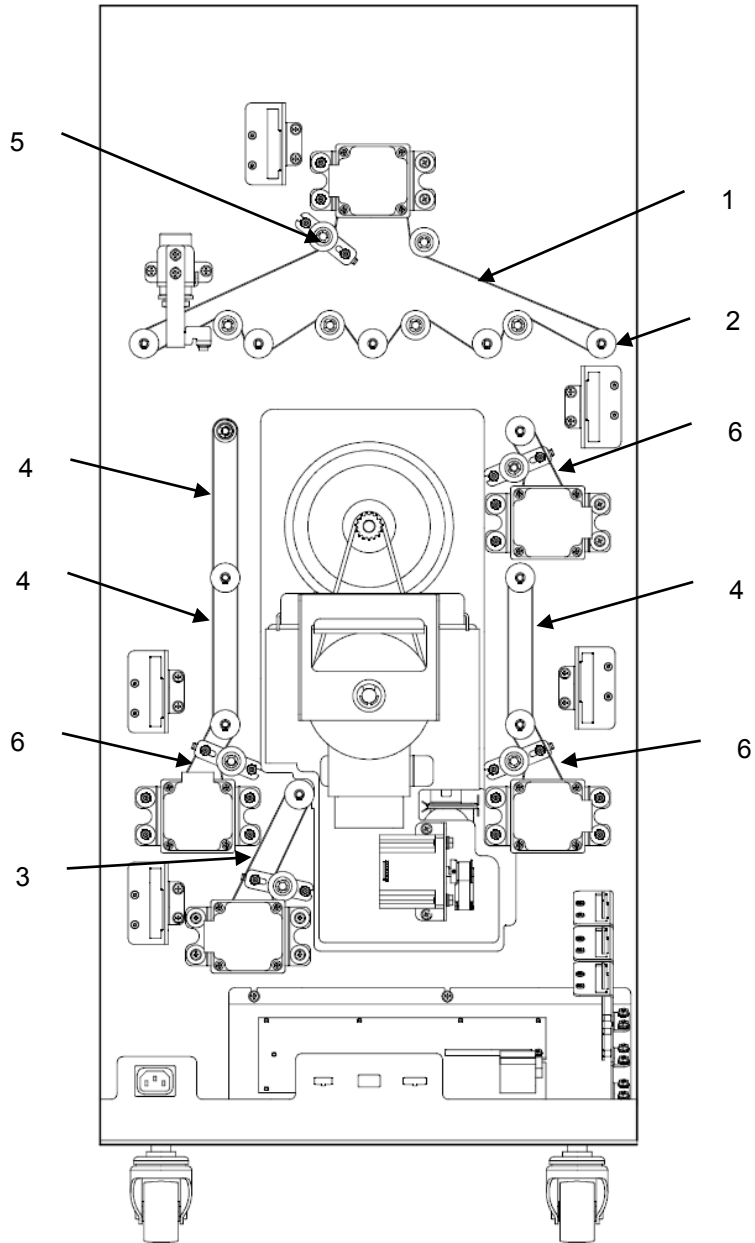
ITEM	GBC Part #	Canon Part #		DESCRIPTION	QTY
1	7715627	FC3-7042-000	S1	Entrance Sensor, S1	1
2	7715291	FC3-6969-000	S2	Entrance Sensor, Top	1
3	7715291	FC3-6969-000	S3	Entrance Sensor, Middle	1
4	7715291	FC3-6969-000	S4	Entrance Sensor, Bottom	1
5	7715291	FC3-6969-000	S5	Accel Sensor	1
6	7715692	FC3-7060-000	S6 S7 S8 S9 S10	Skew Sensor Board	1
7	7715694	FC3-7061-000	S11 S12 S13 S14 S15	Alignment Sensor Board	1
8	7715696	FC3-7062-000	S16 S17	Backage Sensor Board Assy	1
9	7715696	FC3-7062-000	S18 S19	Mid Punch Large, Sensor Board Backage Sensor Board Assy	1
10	7715696	FC3-7062-000	S20 S21	Mid Punch X- Large, Sensor Board Backage Sensor Board Assy	1
11	7715291	FC3-6969-000	S22	Exit Sensor, Bottom	1
12	7715291	FC3-6969-000	S23	Exit Sensor, Middle	1
13	7715291	FC3-6969-000	S24	Exit Sensor, Top	1
14	7715291	FC3-6969-000	S25	Exit Sensor	1
15	7715291	FC3-6969-000	S26	Bypass Sensor, Middle	1
16	7715597	FC3-7039-000	S28	Align Home Sensor	1
17	7711970	FC3-6914-000	S29	Chip Level Sensor - Emitter	1
	7711973	FC3-6915-000	S29	Chip Level Sensor - Receiver	1
18	7715774	FC3-7063-000	S1B	Clear Cover Sensor - Emitter	1
	7711973	FC3-6915-000	S1B	Clear Cover Sensor - Receiver	1

PL 2.8. Frame Assembly- Solenoids / Switches



ITEM	GBC Part #	Canon Part #		DESCRIPTION	QTY
1	7715595	FC3-7038-000	SOL 1	Diverter Subassembly	1
2	7715020	FC3-6920-000	SOL 2	Punch Clutch	1
3	7715223	FC3-6959-000	SOL 3	Entrance Idler Solenoid, Middle	1
4	7715223	FC3-6959-000	SOL 4	Entrance Idler Solenoid, Bottom	1
5	7715223	FC3-6959-000	SOL 5	Acceleration Roller Solenoid	1
6	7715223	FC3-6959-000	SOL 6	Exit Idler Solenoid, Bottom	1
7	7715223	FC3-6959-000	SOL 7	Exit Idler Solenoid, Middle	1
8	7715223	FC3-6959-000	SOL 8	Exit Idler Solenoid, Top	1
9	7610501	FC3-3725-000	SW1	Front Door Interlock Switch	1
10	7715186	FC3-6947-000	SW2	Chip Tray Home Switch Assembly	1

PL 2.9. Frame Assembly- Belts and Pulleys

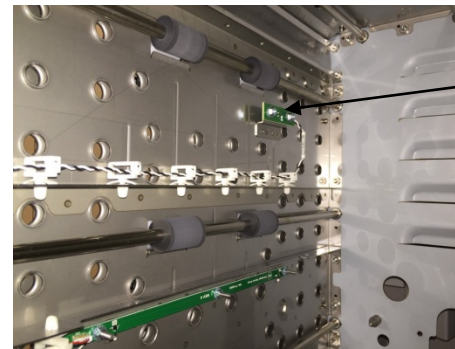
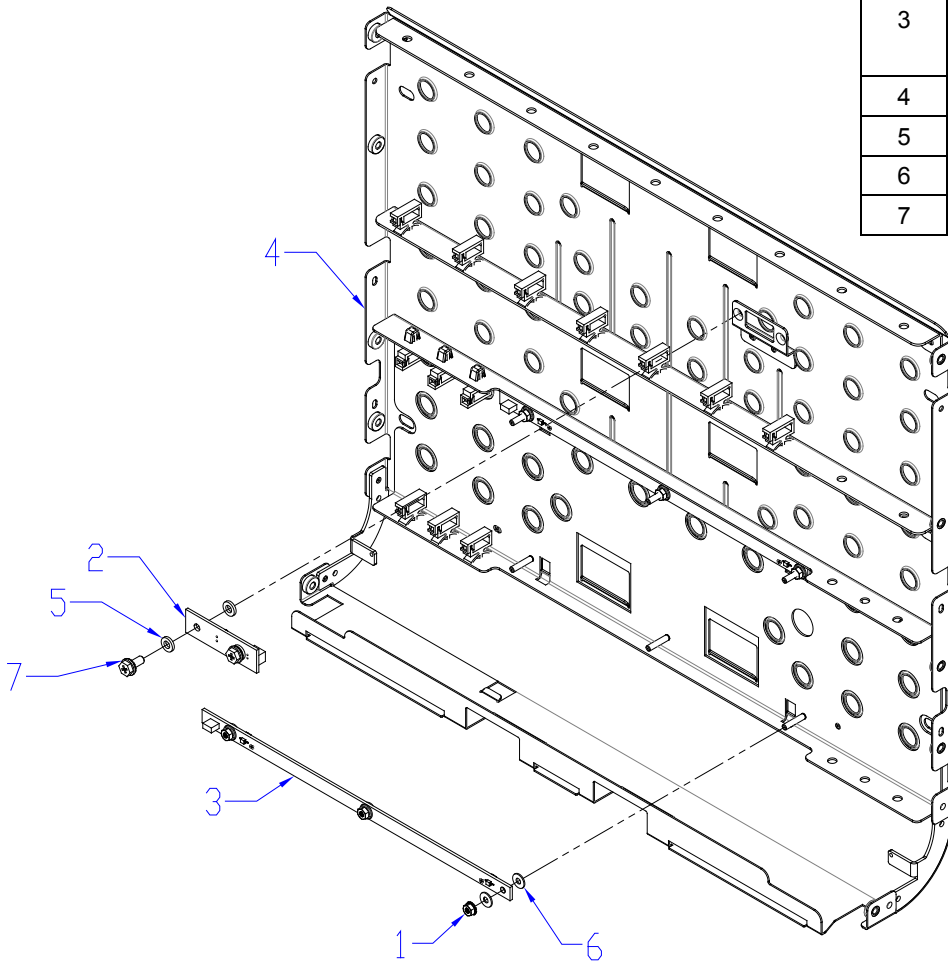


ITEM	GBC Part #	Canon Part #	DESCRIPTION	QTY
1	7715202	FC3-6949-000	BELT, 534T, 2MM 2GT	1
2	7715204	FC3-6950-000	PULLEY, TIMING, 2MM 2GT, 30 GROOVES	14
3	7715206	FC3-6951-000	BELT, 179T, 2MM 2GT	1
4	7715243	FC3-6963-000	BELT, 150 T, 2MM 2GT	3
5	7715245	FC3-6964-000	TENSIONER ASSEMBLY	5
6	7715246	FC3-6965-000	BELT, 134T, 2MM 2GT	3

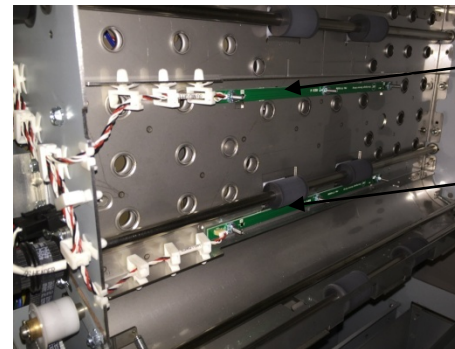
Paper Path

PL 3.1. Paper Path- Entrance Drive Panel

ITEM	GBC Part #	Canon Part #		DESCRIPTION	QTY
1	1824002	FC3-6905-000		NUT, KEPS, M3	6
2	7711973	FC3-6915-000	S1b	RECEIVER	1
3	7715696	FC3-7062-000	S18 S19	MID PUNCH, LARGE, SENSOR BOARD BOARD ASSY, BACKGAGE SENSOR	1
	7715696	FC3-7062-000	S20 S21	MID PUNCH, X LARGE, SENSOR BOARD BOARD ASSY, BACKGAGE SENSOR	1
4	7715881	FC3-7085-000		PANEL WELDMENT, DRIVE, ENTRANCE	1
5	1822108	FC3-6888-000		WASHER, FLAT, 4.1X 8X1.5	4
6	1822117	FC3-6890-000		WASHER, 3.2ID, 8OD, 0.75MM THICK	12
7	1823903	FC3-6898-000		SCREW, PHILLIPS, HX HD M4X8	2



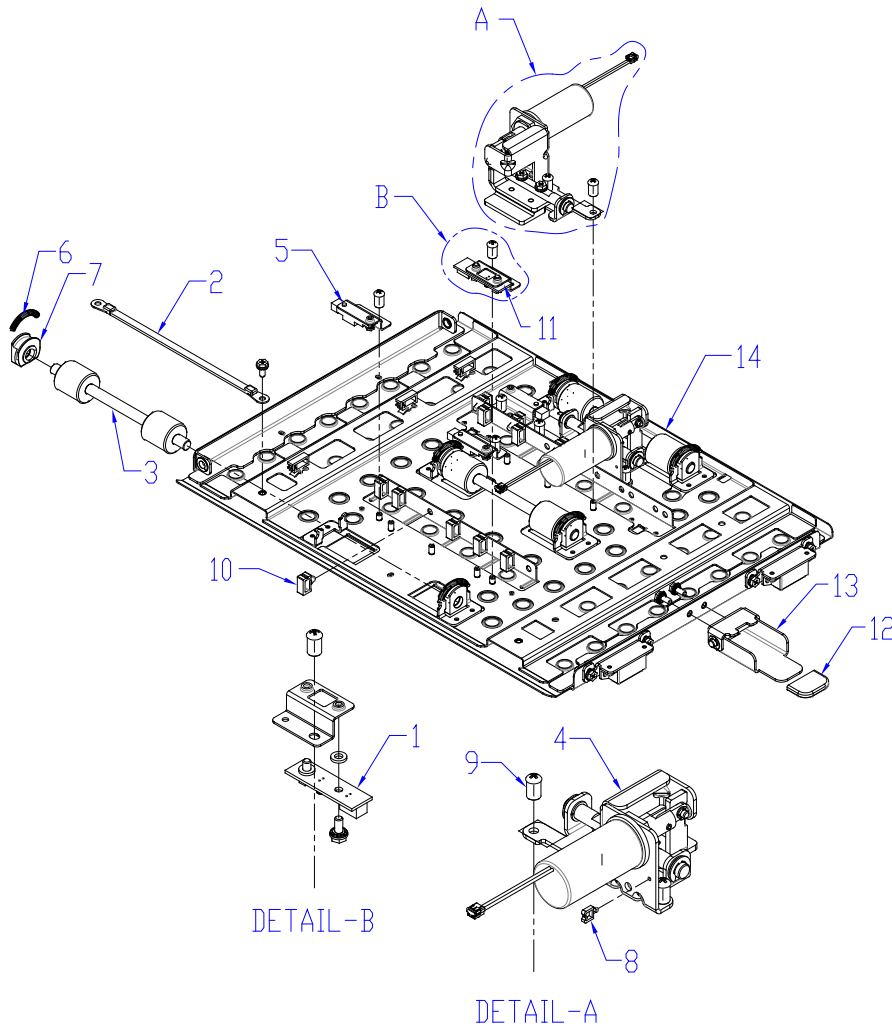
S1b- RECEIVER



S20, S21

S18, S19

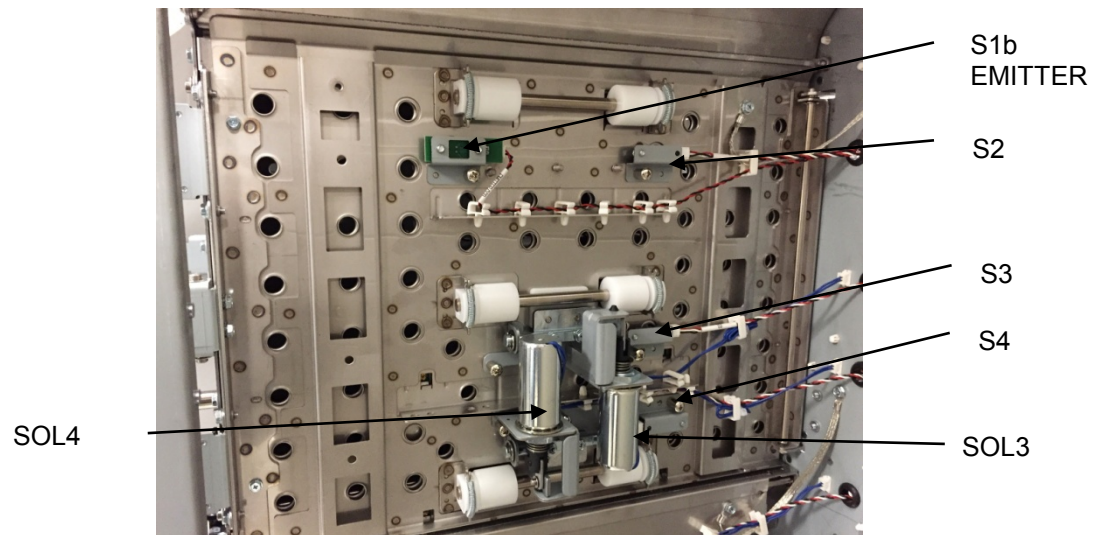
PL 3.2. Paper Path- Entrance Idler Panel



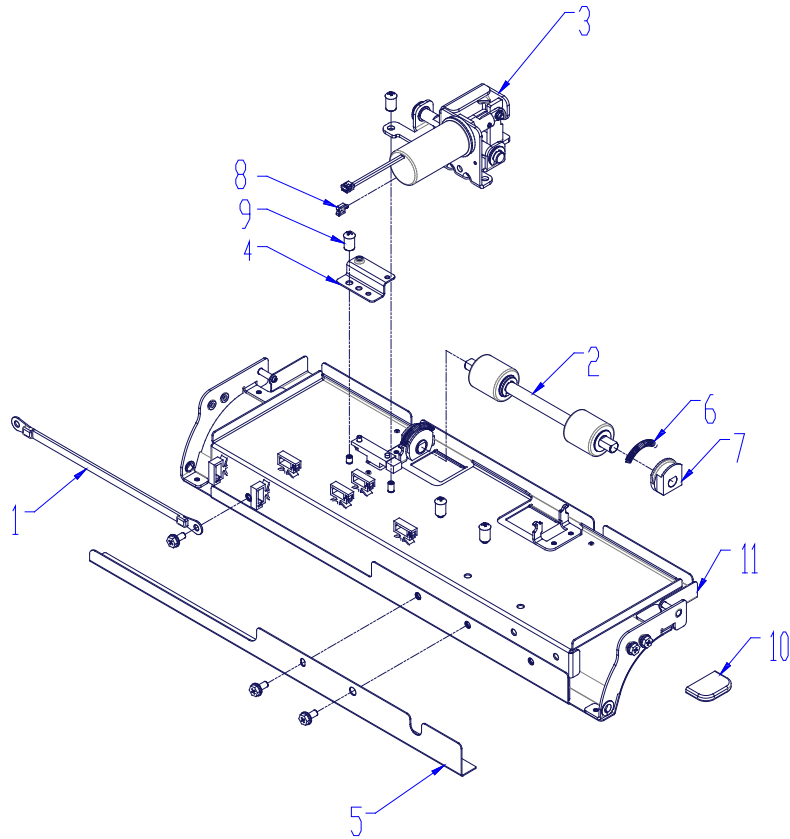
For 7718750/7718760 use the items below:

ITEM	GBC Part #	Canon Part #	DESCRIPTION	QTY
3	7718560	FC3-7433-000	ROLLER ASSY, IDLER, INDEPENDENT DRIVE	3
7	See 7718560			

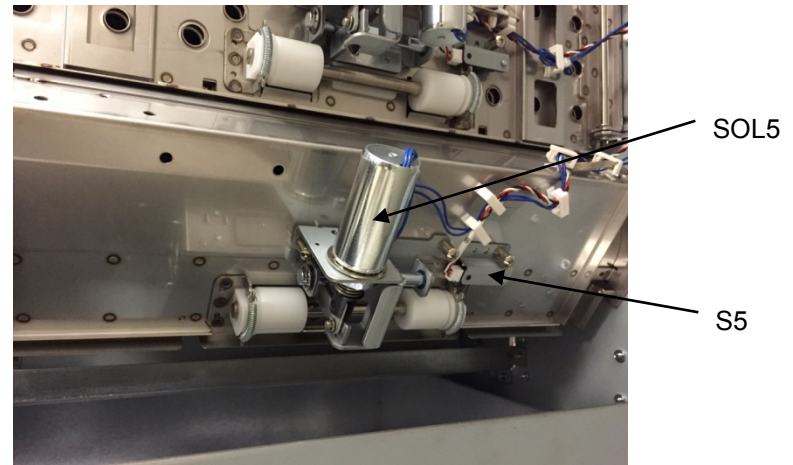
ITEM	GBC Part #	Canon Part #		DESCRIPTION	QTY
1	7711970	FC3-6914-000	S1b	EMITTER	1
2	7714679	FC3-6917-000		GROUND STRAP, M4	1
3	7715103	FC3-6938-000		ROLLER ASSY, IDLER	3
4	7715223	FC3-6959-000	SOL3 SOL4	MODULE,SOLENOID,DISENGAGE ROLLER	2
5	7715291	FC3-6969-000	S2 S3 S4	SENSOR AND BRACKET ASSEMBLY	3
6	7715380	FC3-6991-000		SPRING, TRANSPORT IDLER ROLLERS	6
7	7715382	FC3-6992-000		BEARING HOUSING ASSY	6
8	7715625	FC3-7041-000		WIRE SADDLE, SHORT	2
9	7715629	FC3-7041-000		SCREW, BARREL, M4, 7MM DEEP	13
10	7715639	FC3-7048-000		WIRE SADDLE, SMALL, SIDE OPENING	11
11	7715774	FC3-7063-000		EMITTER ASSY, CLEAR COVER SENSOR	1
12	7715824	FC3-7074-000		CAP, RUBBER, RAIN BLUE	1
13	7715825	FC3-7075-000		HANDLE ASSY, IDLER PANELS	1
14	7715883	FC3-7087-000		PANEL WELDMENT,IDLER,ENTRANCE	1



PL 3.3. Paper Path- Acceleration Roller Idler



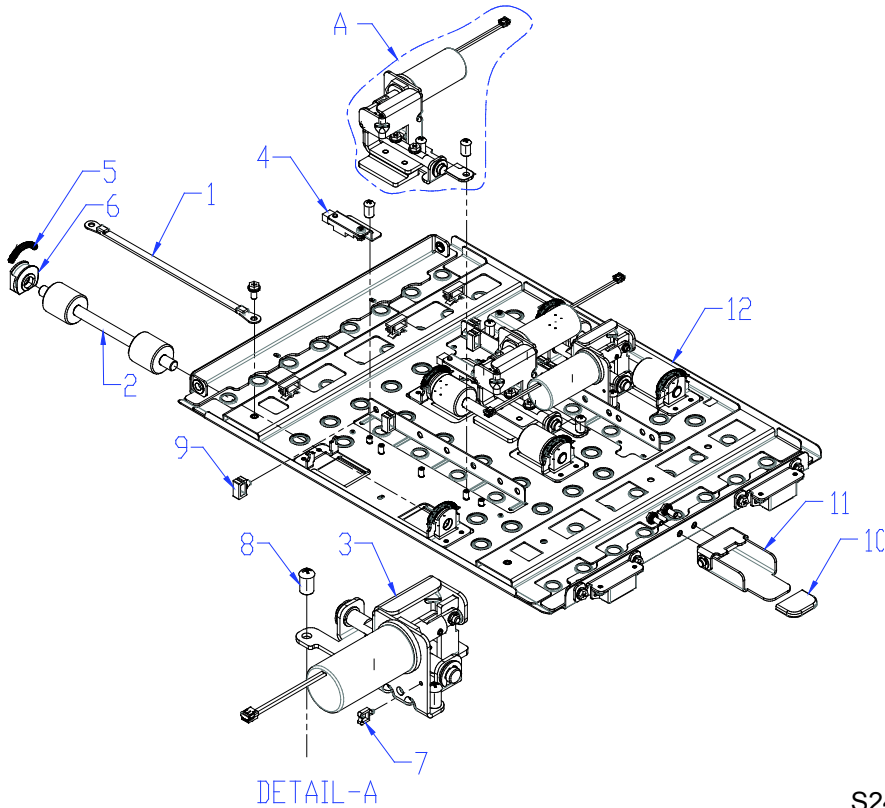
ITEM	GBC Part #	Canon Part #		DESCRIPTION	QTY
1	7714679	FC3-6917-000		GROUND STRAP, M4	1
2	7715103	FC3-6938-000		ROLLER ASSY, IDLER	3
3	7715223	FC3-6959-000	SOL5	MODULE, SOLENOID, DISENGAGING ROLLER	1
4	7715291	FC3-6969-000	S5	SENSOR AND BRACKET ASSEMBLY	1
5	7718626	FC3-7452-000		BRUSH PLATE, WITH BRUSH	1
6	7715380	FC3-6991-000		SPRING, TRANSPORT IDLER ROLLER	2
7	7715382	FC3-6992-000		BEARING HOUSING ASSY	2
8	7715625	FC3-7041-000		WIRE SADDLE, SHORT	1
9	7715629	FC3-7043-000		SCREW, BARREL, M4, 7MM DEEP	1
10	7715824	FC3-7074-000		RUBBER, RAIN BLUE	1
11	7718627	FC3-7453-000		PANEL WELDMENT, IDLER, ENTRANCE	1



For 7718750/7718760 use the items below:

ITEM	GBC Part #	Canon Part #	DESCRIPTION	QTY
2	7718560	FC3-7433-000	ROLLER ASSY, IDLER, INDEPENDENT DRIVE	3
7	See 7718560			

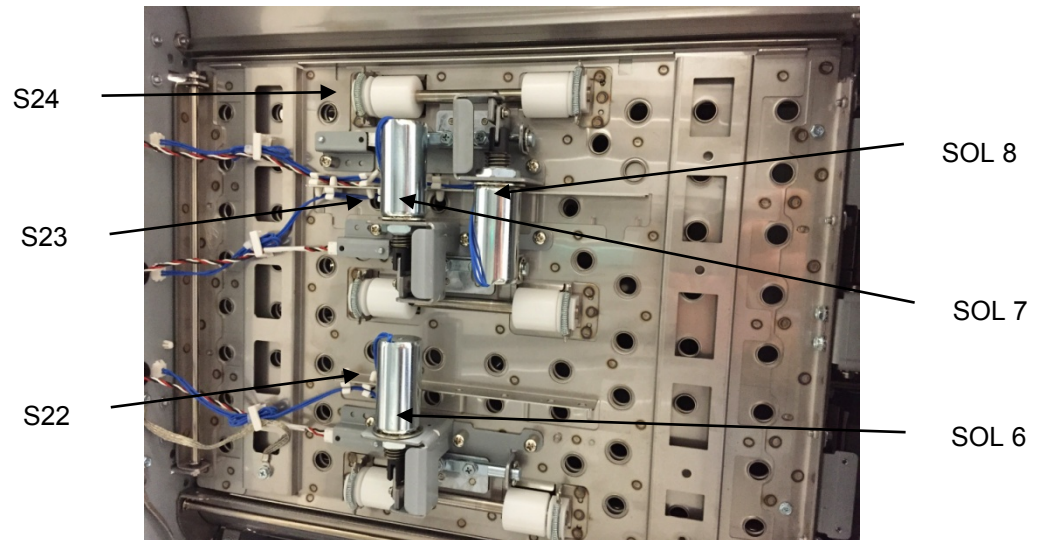
PL 3.4. Paper Path- Exit Idler Panel



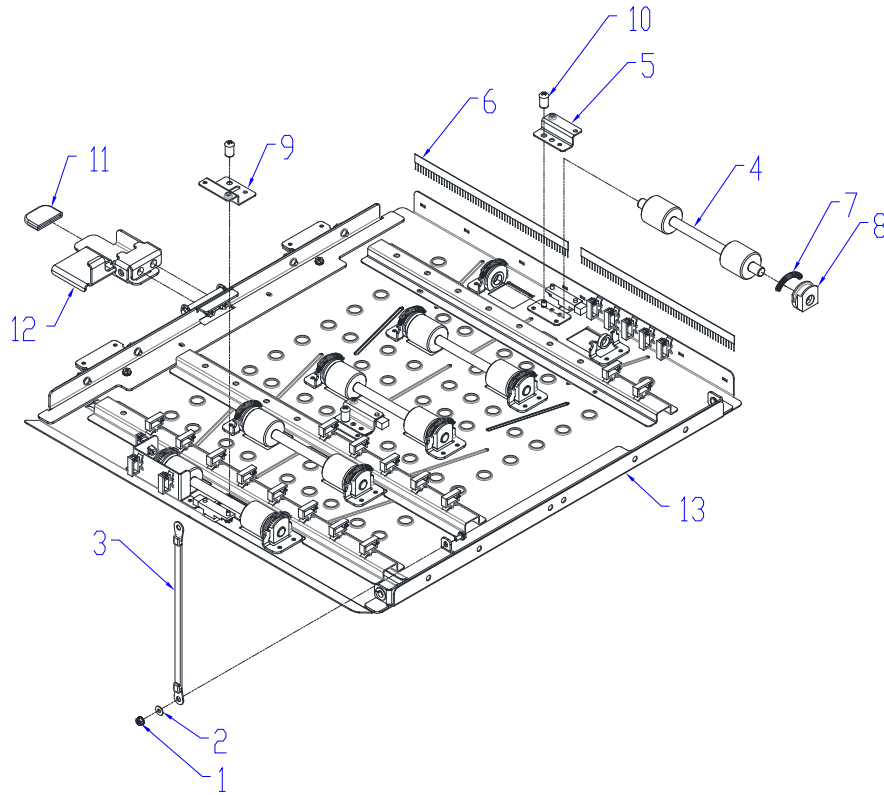
ITEM	GBC Part #	Canon Part #		DESCRIPTION	QTY
1	7714679	FC3-6917-000		GROUND STRAP, M4	1
2	7715103	FC3-6938-000		ROLLER ASSY, IDLER	3
3	7715223	FC3-6959-000	SOL6 SOL7 SOL8	MODULE, SOLENOID, DISENGAGING ROLLER	3
4	7715291	FC3-6969-000	S22 S23 S24	SENSOR AND BRACKET ASSEMBLY	3
5	7715380	FC3-6991-000		SPRING, TRANSPORT IDLER ROLLERS	6
6	7715382	FC3-6992-000		BEARING HOUSING ASSY	6
7	7715625	FC3-7041-000		WIRE SADDLE, SHORT	3
8	7715629	FC3-7043-000		SCREW, BARREL, M4, 7MM DEEP	12
9	7715639	FC3-7048-000		WIRE SADDLE, SMALL, SIDE OPENING	8
10	7715824	FC3-7074-000		CAP, RUBBER, RAIN BLUE	1
11	7715825	FC3-7075-000		HANDLE ASSY, IDLER PANELS	1
12	7715884	FC3-7088-000		PANEL WELDMENT, IDLER, EXIT, SERVICE	1

For 7718750/7718760 use the items below:

ITEM	GBC Part #	Canon Part #	DESCRIPTION	QTY
2	7718560	FC3-7433-000	ROLLER ASSY, IDLER, INDEPENDENT DRIVE	3
7	See 7718560			



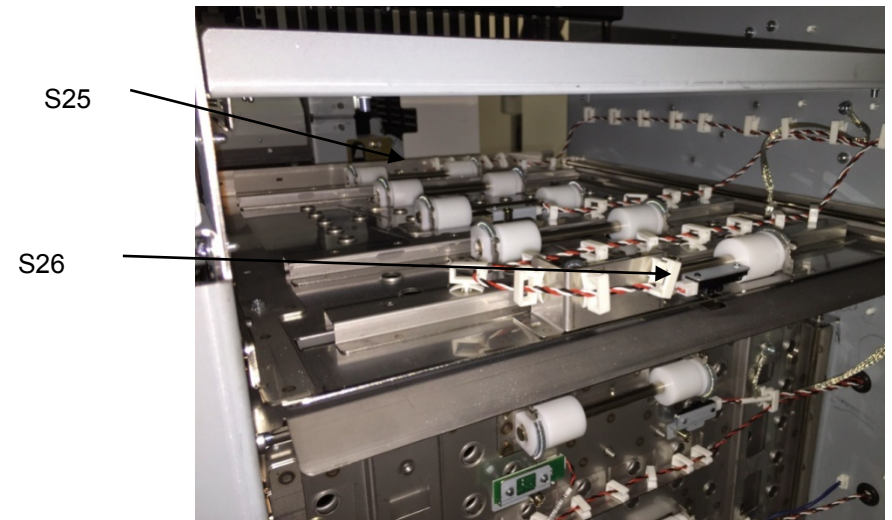
PL 3.5. Paper Path- Upper Bypass Panel



ITEM	GBC Part #	Canon Part #		DESCRIPTION	QTY
1	1822117	FC3-6890-000		WASHER, 3.2ID, 8OD, 0.75MM THK.	1
2	1824002	FC3-6905-000		NUT, KEPS, M3	1
3	7714679	FC3-6917-000		GROUND STRAP, M4	1
4	7715103	FC3-6938-000		ROLLER ASSY, IDLER	5
5	7715291	FC3-6969-000	S25 S26	SENSOR AND BRACKET ASSEMBLY	2
6	7718594	FC3-7450-000		BRUSH, ANTI STATIC, SUS, SHORT	2
7	7715380	FC3-6991-000		SPRING, TRANSPORT IDLER ROLLER	10
8	7715382	FC3-6992-000		BEARING HOUSING ASSY	10
9	7715627	FC3-7042-000	S1	SENSOR & BRACKET ASSEMBLY, S1	1
10	7715629	FC3-7043-000		SCREW, BARREL, M4, 7MM DEEP	3
11	7715824	FC3-7074-000		CAP, RUBBER, RAIN BLUE	1
12	7715833	FC3-7076-000		HANDLE ASSY, UPPER BYPASS	1
13	7715882	FC3-7086-000		PANEL WELDMENT, BYPASS, UPPER	1

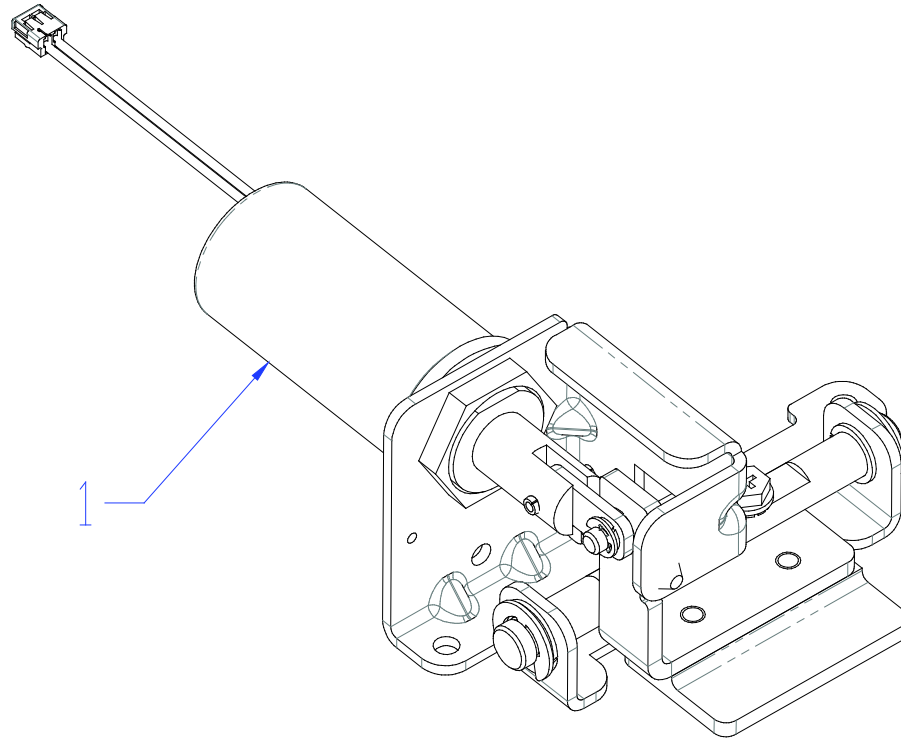
For 7718750/7718760 use the items below:

ITEM	GBC Part #	Canon Part #	DESCRIPTION	QTY
4	7718560	FC3-7433-000	ROLLER ASSY, IDLER, INDEPENDENT DRIVE	3
8	See 7718560			



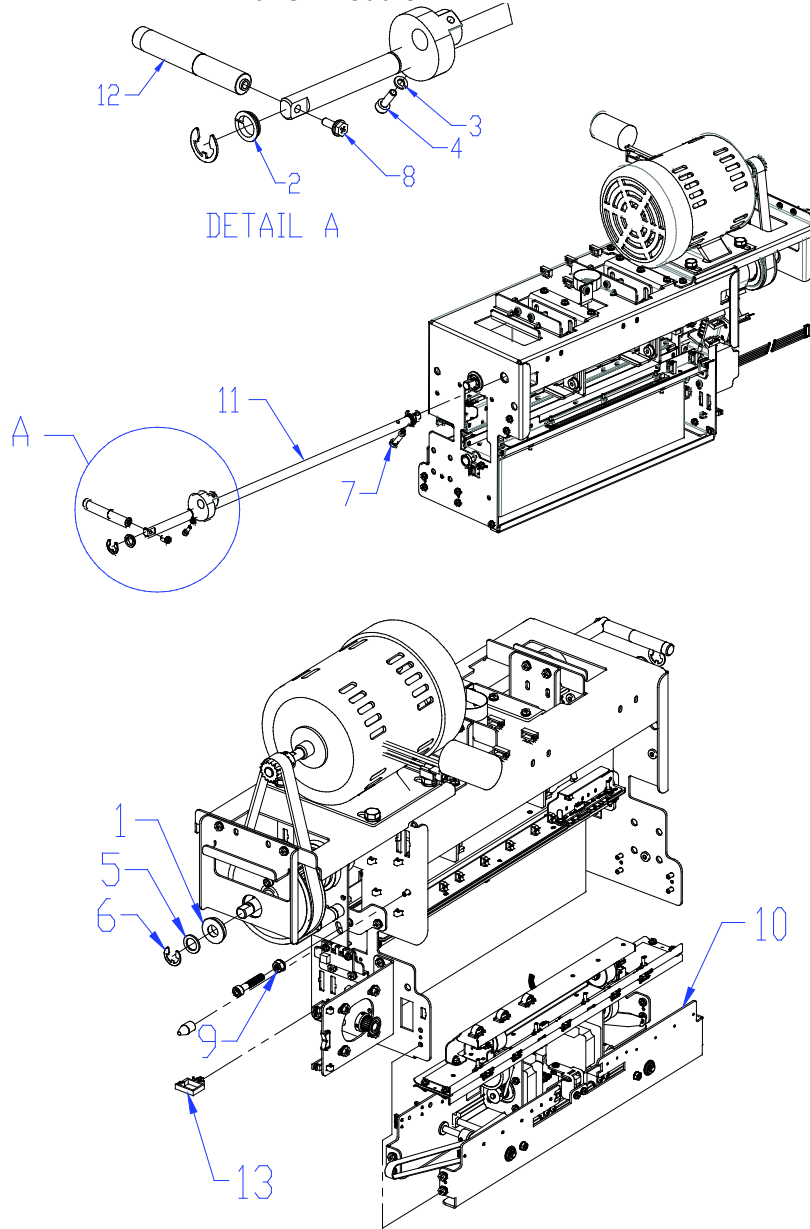
PL 3.6 Paper Path- Disengaging Roller Solenoid

ITEM	GBC Part #	Canon Part #		DESCRIPTION	QTY
1	7715223	FC3-6959-000	SOL 3 SOL 4 SOL 5 SOL 6 SOL 7 SOL 8	Module, Solenoid, Disengaging Roller	1

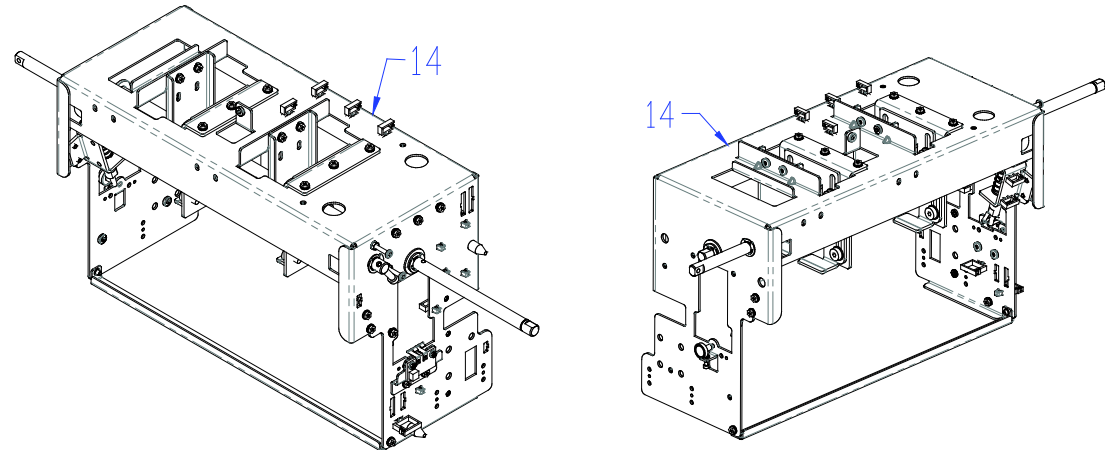


Punch Module

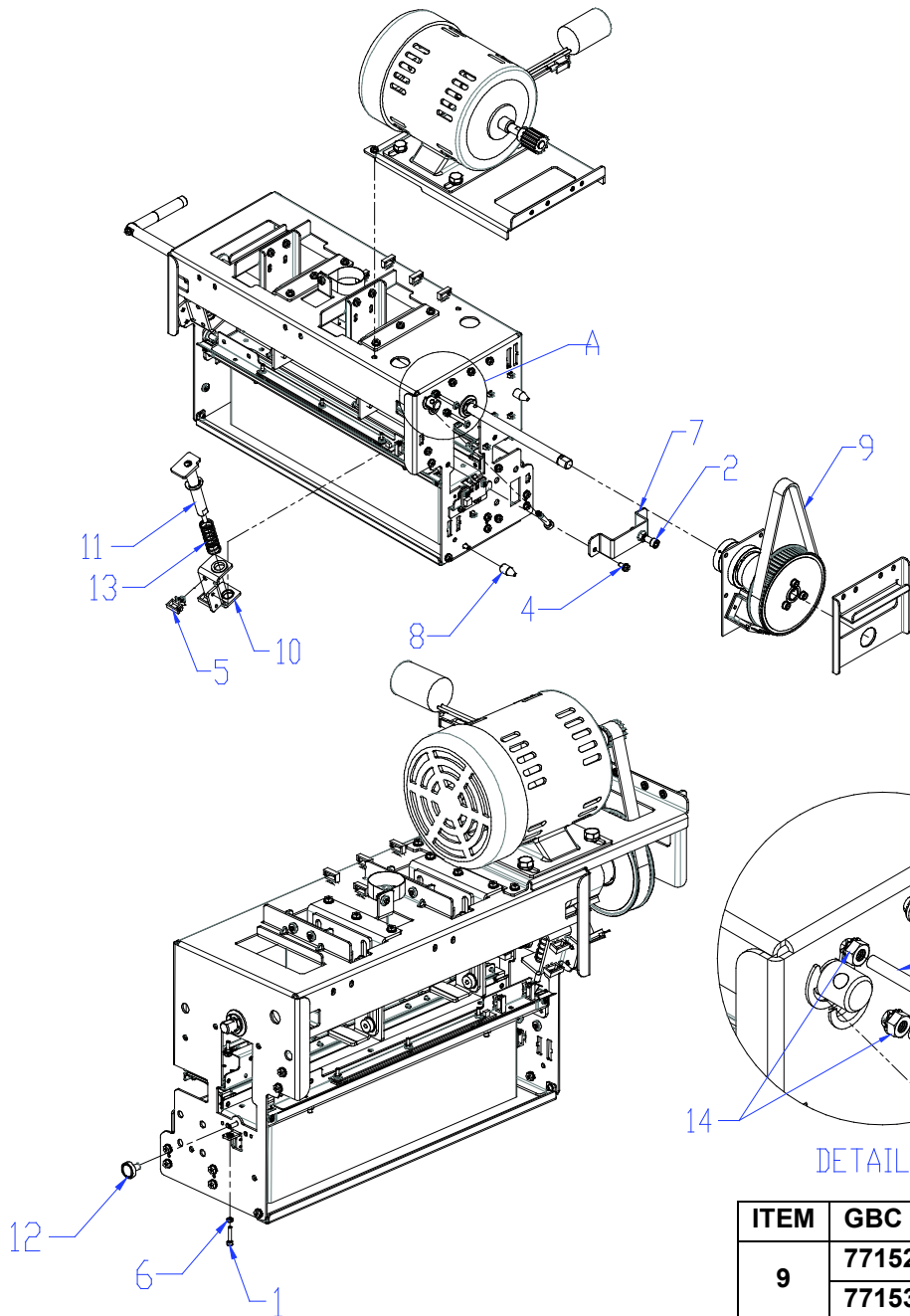
PL 4.1. Punch Module



ITEM	GBC Part #	Canon Part #		DESCRIPTION	QTY
FOR MFPP A1	7715010	FC3-6919-000	115V	PUNCH MODULE, ASSY, 115V	1
	7715009	FC3-6918-000	230V	PUNCH MODULE, ASSY, 230V	1
FOR MFPP B1	7718770	FC3-7436-000	115V	PUNCH MODULE, ASSY, 115V	1
	7718771	FC3-7437-000	230V	PUNCH MODULE, ASSY, 230V	1
1	1821118	FC3-6871-000		BEARING, BALL, FLANGE, 12X24X6, SUJ2	3
2	1821215	FC3-6873-000		BEARING, CLIP, 12MM	2
3	1821802	FC3-6882-000		Spring washer M4	2
4	1821532	FC3-6876-000		SCREW, SHCS, M4 X 12	2
5	1822016	FC3-6887-000		WASHER, NYLON, ID 12.7, OD 19, 1.5MM THK	2
6	1822205	FC3-6892-000		E-RING, JE-10	5
7	1823203	FC3-6893-000		SCREW, SOCKET HD, M5, 6MM SHOULDER	1
8	1823911	FC3-6902-000		SCREW, PHILLIPS HX HD W/SEMS M4 X 10	1
9	1824003	FC3-6906-000		NUT, KEPS, M6	1
10	7715033	FC3-6924-000		STEERING MODULE SUB ASSY	1
11	7715237	FC3-6960-000		SHAFT, DIE LOCK	1
12	7715820	FC3-7073-000		HANDLE, DIE LOCK	1
13	7715818	FC3-7071-000		WIRE SADDLE, MEDIUM, LOCKING TOP, V-0	1
14	7715886	FC3-7090-000		PUNCH MODULE SHELL, SERVICE	1



PL 4.1. Punch Module (Continued)

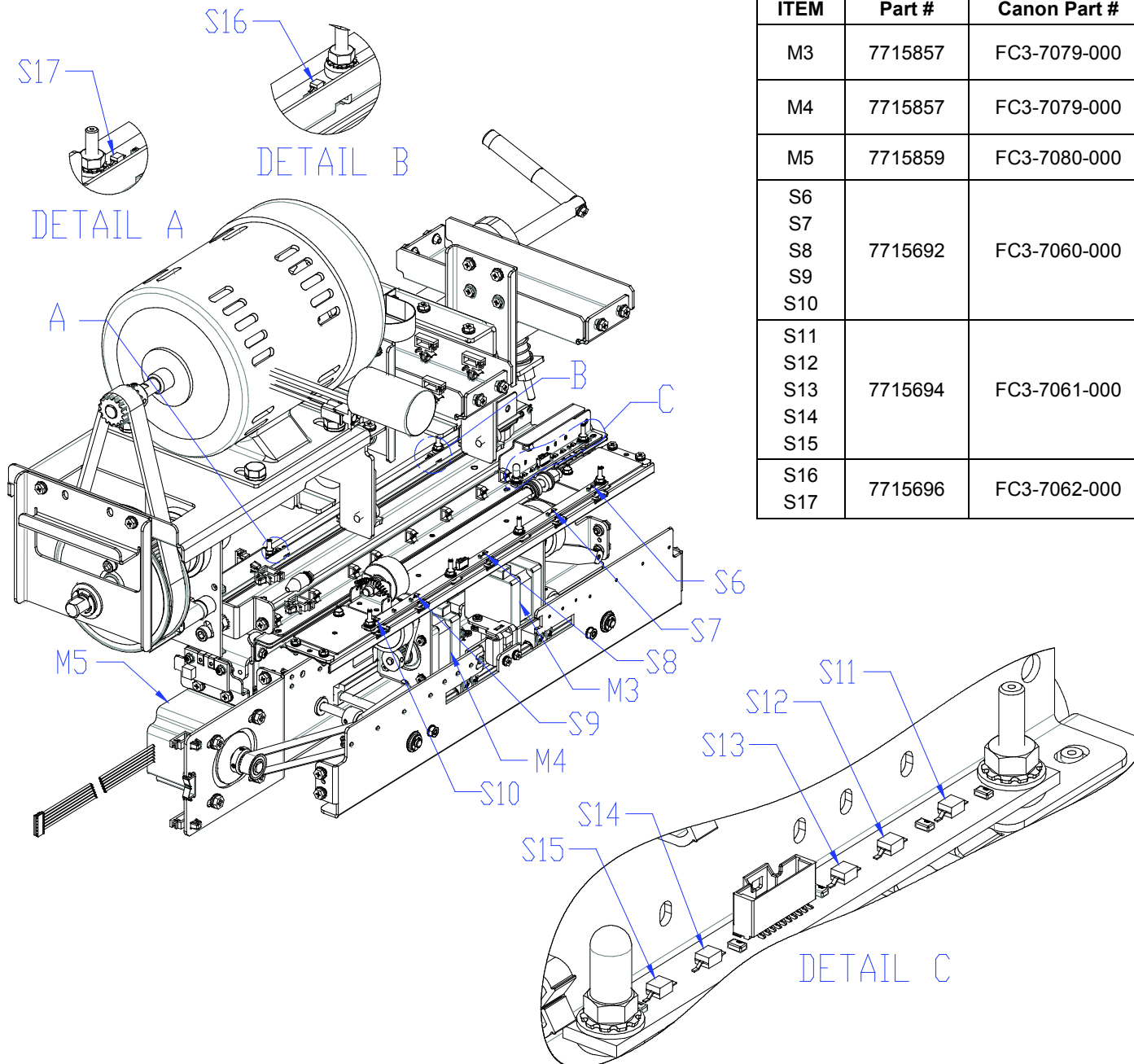


ITEM	GBC Part #	Canon Part #		DESCRIPTION	QTY
1	1821514	FC3-6874-000		SHCS, M3X12	1
2	1821541	FC3-6877-000		SCREW, SOCKET HD, M6, 35MM LONG	1
3	1821655	FC3-6880-000		SCREW, PHILLIPS, PAN HD, M4X25	2
4	1823903	FC3-6898-000		SCREW, PHILLIPS, HX HD M4X8	54
5	1825203	FC3-6908-000		WIRE SADDLE, SNAP TYPE, SMALL, 3mm	2
6	1823701	FC3-6895-000		NUT, HEX, M3	1
7	7715030	FC3-6922-000		BRACKET, CLUTCH STUD	1
8	7715079	FC3-6931-000		MOUNT PIN, PUNCH MODULE	2
9	7715662	FC3-7057-000	115V	BELT, TIMING, 96 GROOVE, 5MM HTD	1
	7715663	FC3-7058-000	230V	BELT, TIMING, 92 GROOVE, 5MM HTD	1
10	7715238	FC3-6961-000		BRACKET AND BEARING ASSY, DIE LOCK	2
11	7715239	FC3-6962-000		PLUNGER & STRIPPER ASSY, DIE LOCK	2
12	7715320	FC3-6975-000		MAGNET, DIE STOP	1
13	7715374	FC3-6987-000		SPRING, DIE LOCK RETURN	2
14	1824001	FC3-6904-000		NUT, KEPS M4	2
15	7715014	FC3-7104-000		WEAR PLATE, PUNCH CAM	4
16	1823901	FC3-6897-000		SCREW, PHILLIPS HX W/SEMS, M3X6	4

For machines with high speed pulleys use the items below:

ITEM	GBC Part #	Canon Part #		DESCRIPTION	QTY
9	7715232	FC3-7429-000	115V	BELT, TIMING, 82 GROOVE, 5MM HTD	1
	7715372	FC3-7431-000	230V	BELT, TIMING, 80 GROOVE, 5MM HTD	1

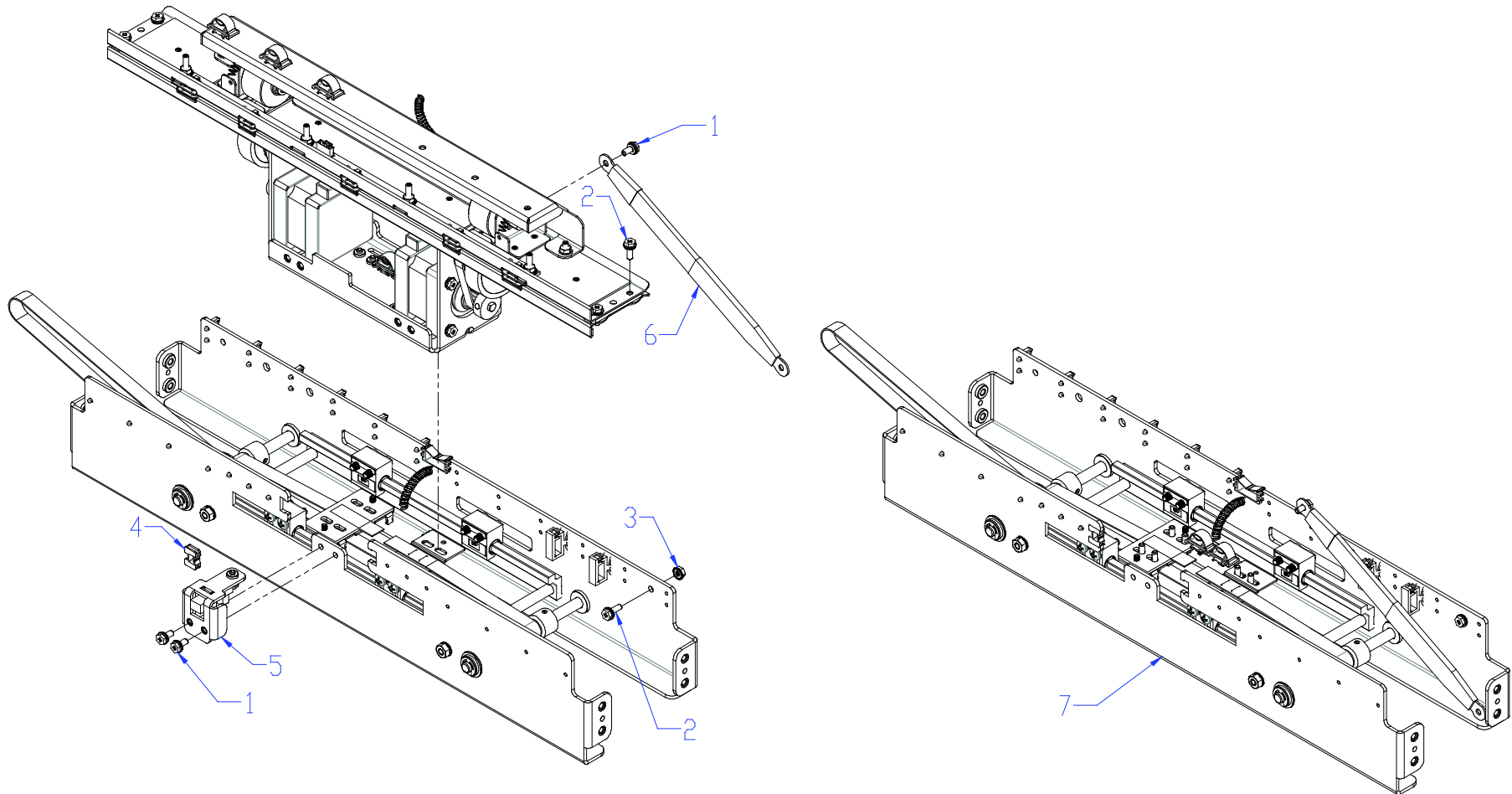
PL 4.2. Punch Module- Motors/Sensors



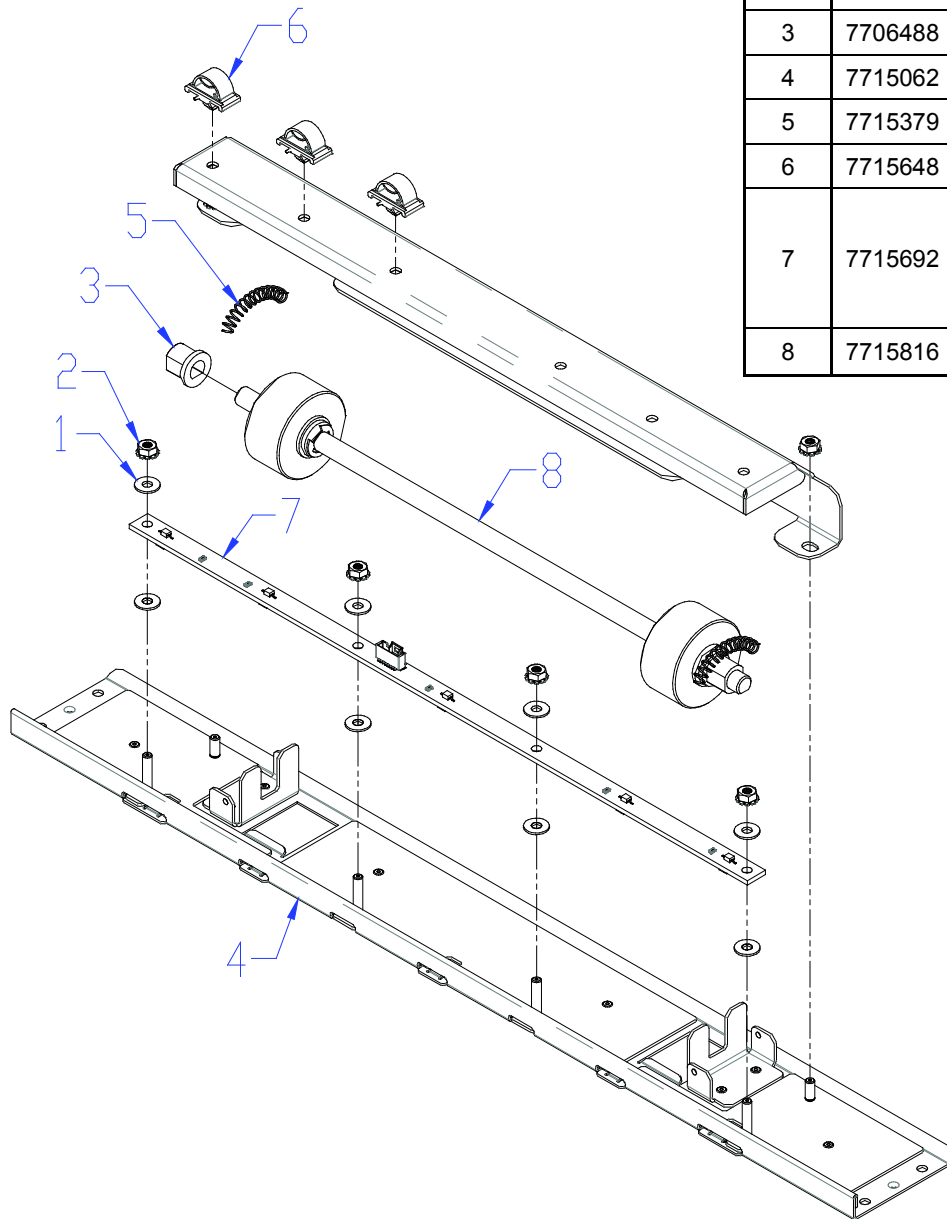
ITEM	Part #	Canon Part #	DESCRIPTION	QTY
M3	7715857	FC3-7079-000	Left / Front Steering Motor and Pulley.	1
M4	7715857	FC3-7079-000	Right / Rear Steering Motor and Pulley.	1
M5	7715859	FC3-7080-000	Stepper Motor and Pulley, Alignment, Service	1
S6 S7 S8 S9 S10	7715692	FC3-7060-000	Skew Sensor Board	1
S11 S12 S13 S14 S15	7715694	FC3-7061-000	Alignment Sensor Board	1
S16 S17	7715696	FC3-7062-000	Backgage Sensor Board	1

PL 4.3. Punch Module- Steering Module

ITEM	GBC Part #	Canon Part #		DESCRIPTION	QTY
1	1823901	FC3-6897-000		SCREW, PHILLIPS HX HD W/SEMS, M3 X 6	4
2	1823913	FC3-6903-000		SCREW, PHILIPS-HEX HD W/EXT WASHER, M3 X 8	4
3	1824002	FC3-6905-000		NUT, KEPS, M3	1
4	7715445	FC3-6996-000		WIRE CLAMP, EDGE, SMALL	1
5	7715597	FC3-7039-000	S28	SENSOR, VEIN, BRACKET, SUB ASSEMBLY	1
6	7715779	FC3-7065-000		GROUND STRAP, STEERING CARRIAGE	1
7	7715877	FC3-7084-000		ALIGNMENT CARRIAGE, SUB ASSEMBLY, SERVICE	1

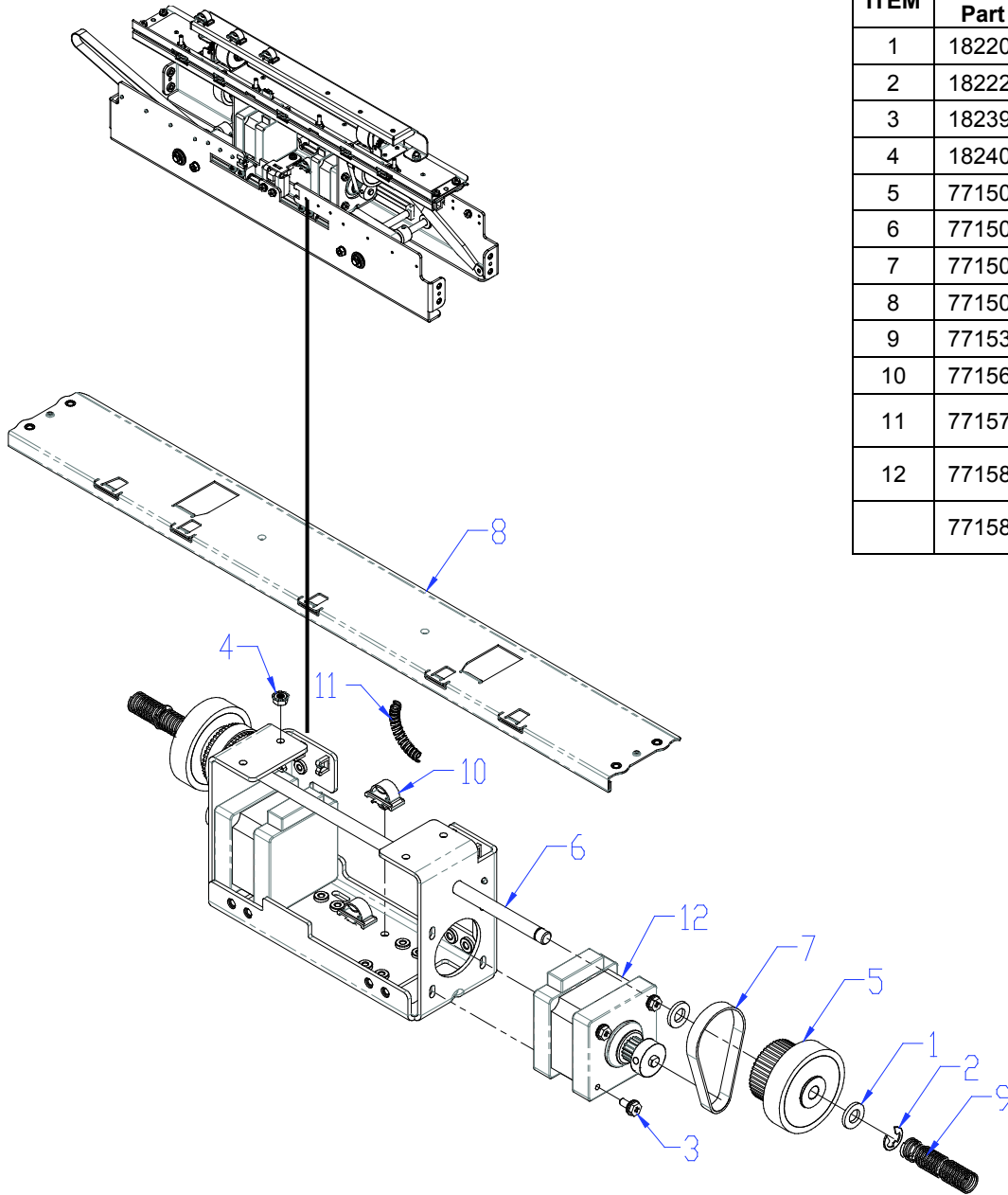


PL 4.4. Punch Module- Steering Module - Steering Idler Panel Sub Assembly



ITEM	GBC Part #	Canon Part #		DESCRIPTION	QTY
1	1822117	FC3-6890-000		WASHER, 3.2ID, 8OD, 0.75MM THK.	8
2	1824002	FC3-6905-000		NUT, KEPS, M3	6
3	7706488	FC3-3630-000		BEARING, DOUBLE "D" FLANGE	2
4	7715062	FC3-6929-000		PANEL WELDMENT, IDLER, STEERING	1
5	7715379	FC3-6990-000		SPRING, STEERING IDLER ROLLERS	2
6	7715648	FC3-7052-000		WIRE CLAMP, LOCKING	3
7	7715692	FC3-7060-000	S6 S7 S8 S9 S10	BOARD ASSY, SKEW SENSOR	1
8	7715816	FC3-7069-000		ROLLER ASSY, IDLER, STEERING	1

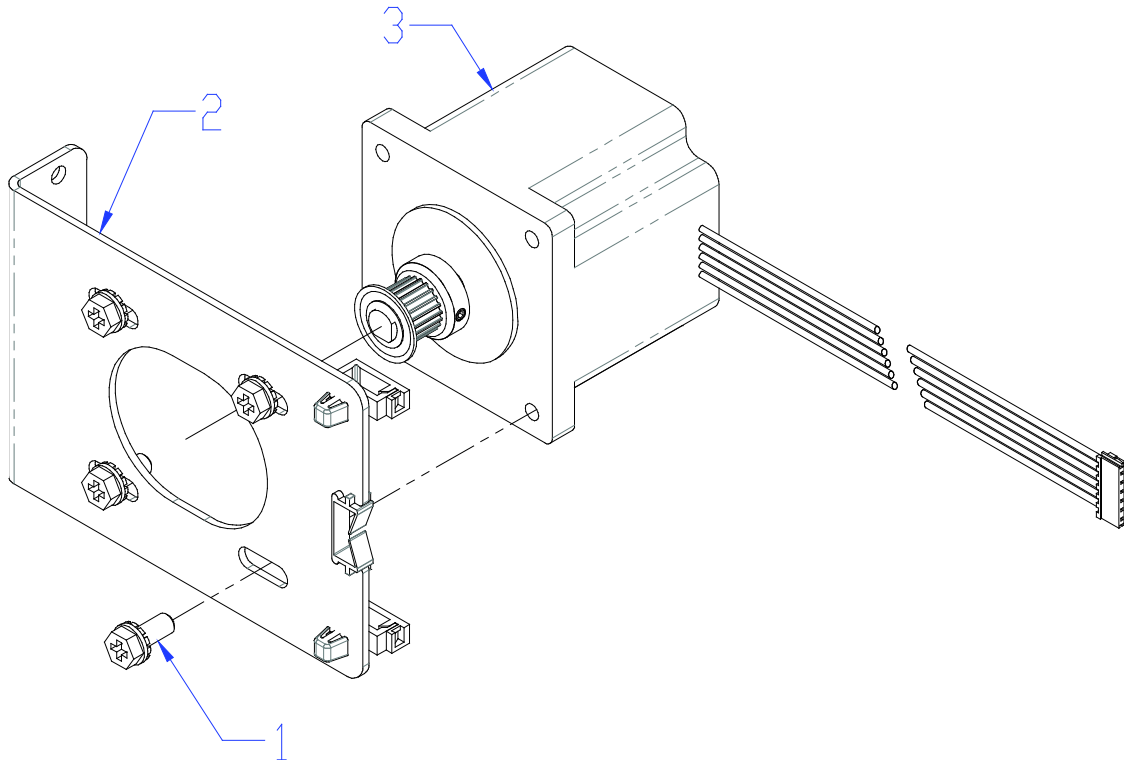
PL 4.5. Punch Module- Steering Module - Drive Panel Steering



ITEM	GBC Part #	Canon Part #		DESCRIPTION	QTY
1	1822008	FC3-6886-000		WASHER, FLAT, 6.4X12X1.5	4
2	1822202	FC3-6891-000		E-RING, JE-5	4
3	1823901	FC3-6897-000		SCREW, PHILLIPS HX HD W/SEMS, M3 X 6	8
4	1824002	FC3-6905-000		NUT, KEPS, M3	4
5	7715039	FC3-6925-000		ROLLER ASSEMBLY, DRIVE, STEERING	2
6	7715044	FC3-6926-000		SHAFT, STEERING DRIVE	1
7	7715047	FC3-6927-000		BELT, STEERING, 65 GROOVES, 2MM 2GT	2
8	7715053	FC3-6928-000		PANEL WELDMENT, DRIVE, STEERING	1
9	7715377	FC3-6989-000		SPRING, STEERING DRIVE ROLLER	2
10	7715648	FC3-7052-000		WIRE CLAMP, LOCKING	2
11	7715777	FC3-7064-000		SLEEVE, SPIRAL, STEERING MOTOR WIRES	1
12	7715857	FC3-7079-000	M3	STEPPER MOTOR AND PULLEY, STEERING, SERVICE	1
	7715857	FC3-7079-000	M4	STEPPER MOTOR AND PULLEY, STEERING, SERVICE	1

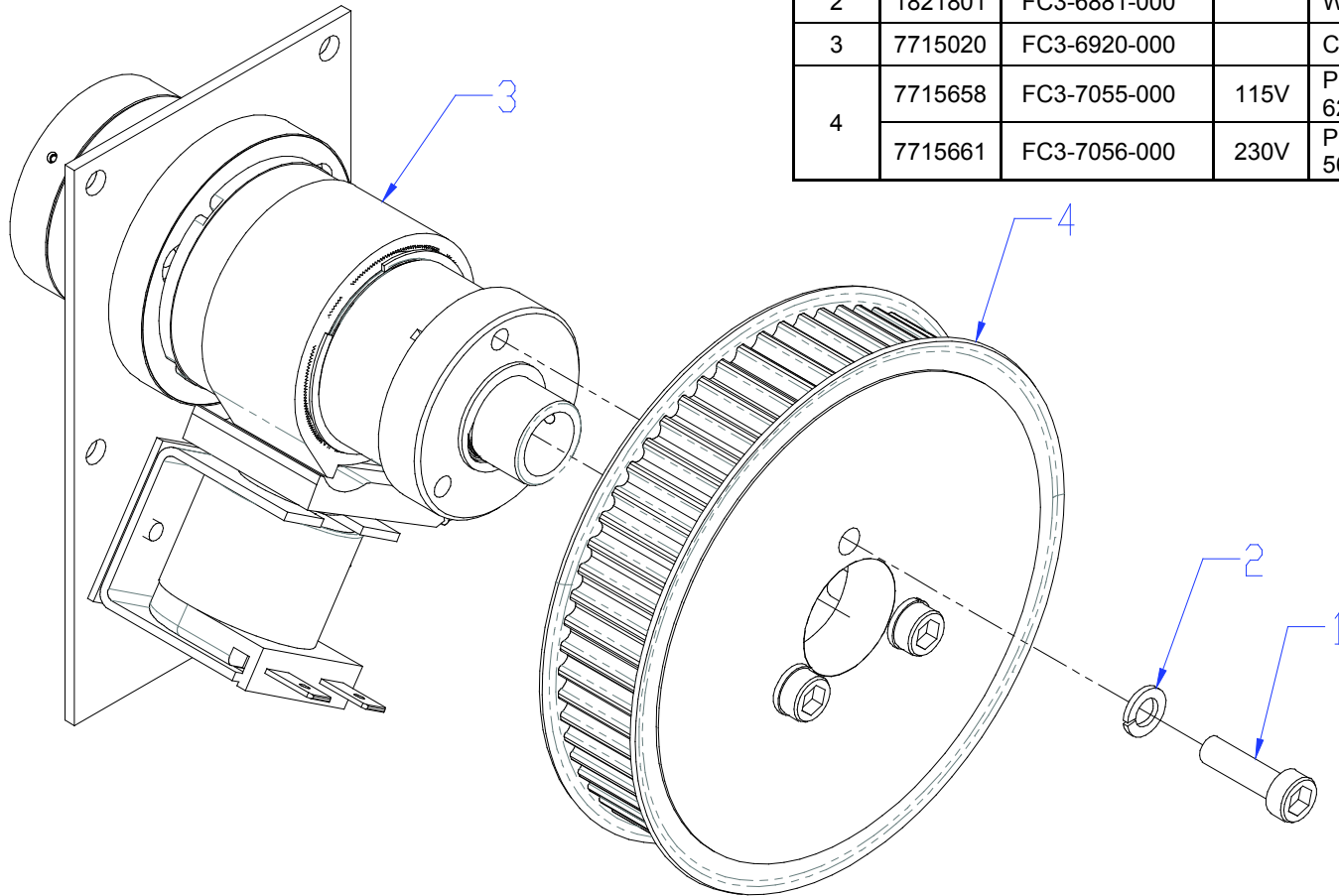
PL 4.6. Punch Module- Stepper Alignment Bracket

ITEM	GBC Part #	Canon Part #		DESCRIPTION	QTY
1	1823906	FC3-6899-000		SCREW, PHILLIPS HX HD W/SEMS M5 X 10	4
2	7715078	FC3-6930-000		BRACKET, ALIGNMENT STEPPER MOUNT	1
3	7715859	FC3-7080-000	M5	STEPPER MOTOR AND PULLEY, ALIGNMENT, SERVICE	1



PL 4.7. Punch Module– Punch Clutch

ITEM	GBC Part #	Canon Part #		DESCRIPTION	QTY
1	1821531	FC3-6875-000		SCREW, SHCS, M5X18	3
2	1821801	FC3-6881-000		WASHER, SPLIT LOCK, M5	3
3	7715020	FC3-6920-000		CLUTCH, WRAP SPRING,	1
4	7715658	FC3-7055-000	115V	PULLEY AND FLANGE, 5MM HTD, 62T, ASSY	1
	7715661	FC3-7056-000	230V	PULLEY AND FLANGE, 5MM HTD, 56T, ASSY	1

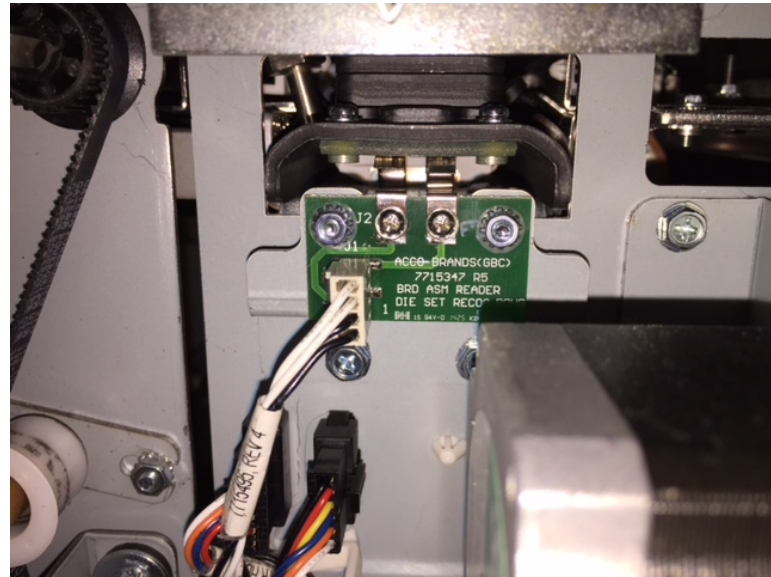
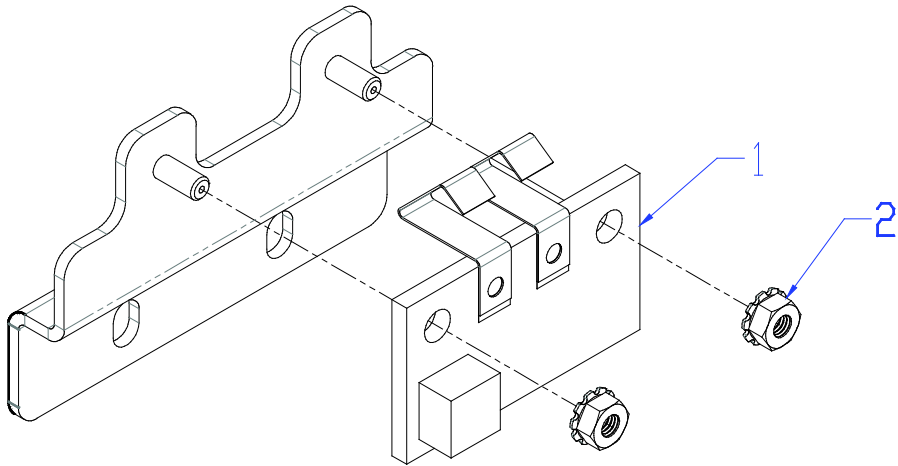


For machines with high speed pulley upgrades use the items below:

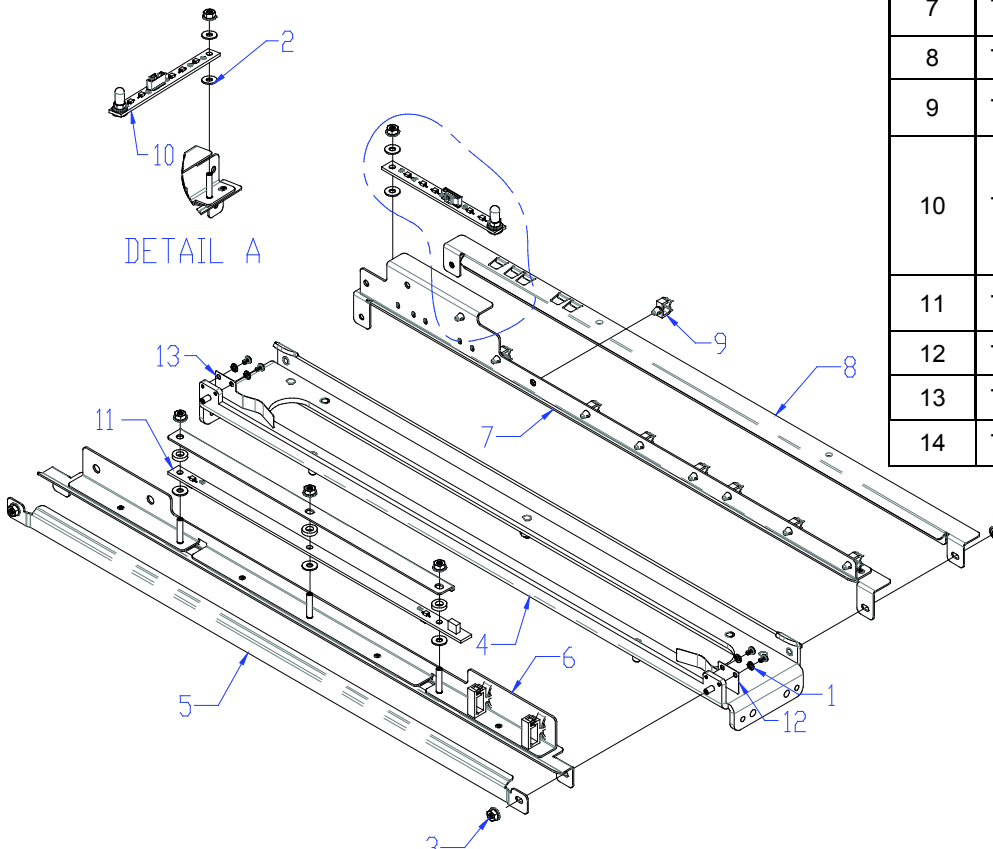
ITEM	GBC Part #	Canon Part #		DESCRIPTION	QTY
4	7715231	FC3-7430-000	115V	PULLEY AND FLANGE, 38T, ASSY	1
	7715371	FC3-7432-000	230V	PULLEY AND FLANGE, 34T, ASSY	1

PL 4.8. Punch Module- Die Set Recognition Reader Board

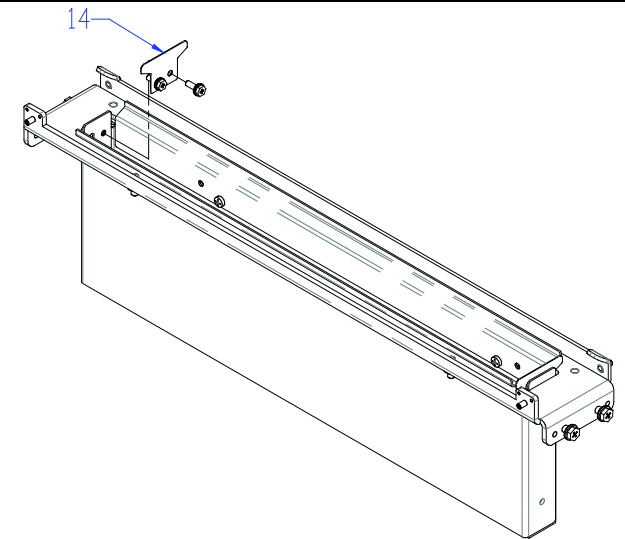
ITEM	GBC Part #	Canon Part #	DESCRIPTION	QTY
1	7715347	FC3-6979-000	Board, ASM, Reader, Die Set Recognition	1
2	1824002	FC3-6905-000	NUT, KEPS, M3	2



PL 4.9. Punch Module- Die Rail, BG, Align Sensors, Sub Assembly



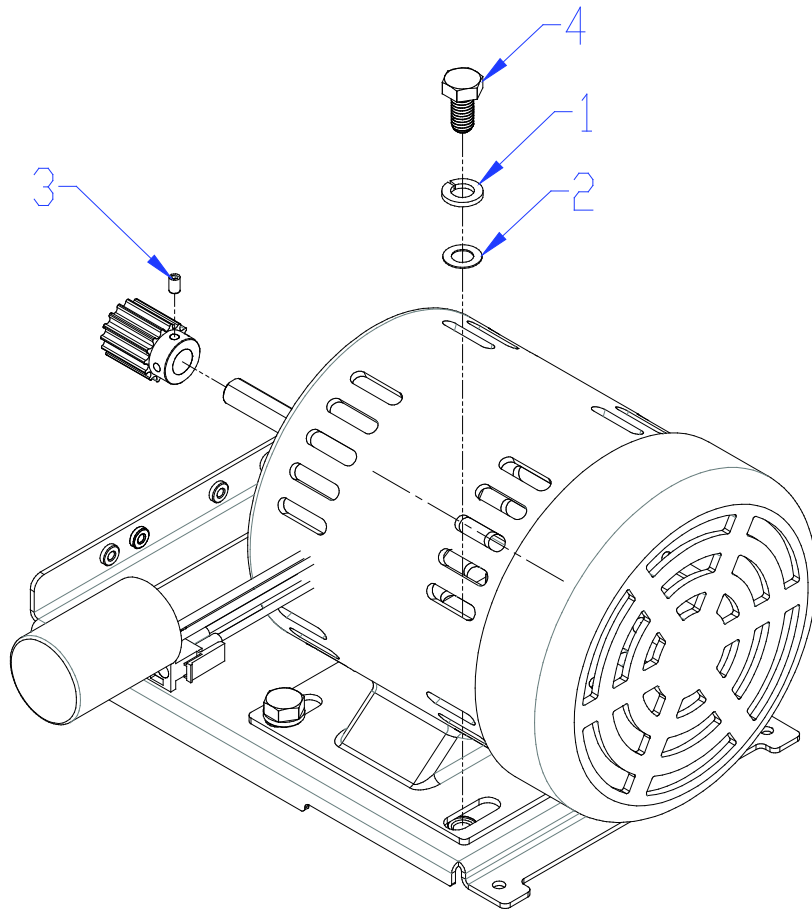
ITEM	GBC Part #	Canon Part #		DESCRIPTION	QTY
1	1821808	FC3-6884-000		LOCK WASHER, SPLIT, M2	4
2	1822117	FC3-6890-000		WASHER, 3.2ID, 8OD, 0.75MM THK.	7
3	1824002	FC3-6905-000		NUT, KEPS, M3	9
4	7715986	FC3-6921-000		DIE RAIL, ASSEMBLY	1
5	7715032	FC3-6923-000		BRACKET, BACKGAGE SENSOR, LOWER	1
6	7715080	FC3-6932-000		BRACKET WELDMENT, BACKGAGE SENSOR	1
7	7715990	FC3-6933-000		BRACKET WELDMENT, ALIGNMENT SENSOR,	1
8	7715988	FC3-6957-000		GUIDE, ALIGNMENT SENSOR, BOTTOM	1
9	7715640	FC3-7049-000		WIRE SADDLE, SHORT, ALIGN SENSOR WIRES	9
10	7715694	FC3-7061-000	S11 S12 S13 S14 S15	BOARD ASSY, ALIGNMENT SENSOR	1
11	7715696	FC3-7062-000	S16 S17	BOARD ASSY, BACKGAGE SENSOR	1
12	7715787	FC3-7066-000		SPRING, DIE RAIL, POSITION, 1	1
13	7715799	FC3-7068-000		SPRING, DIE RAIL, POSITION, 2	1
14	7715985	FC3-7098-000		GUIDE, CHIP DEFLECTOR, FLEXIBLE	2



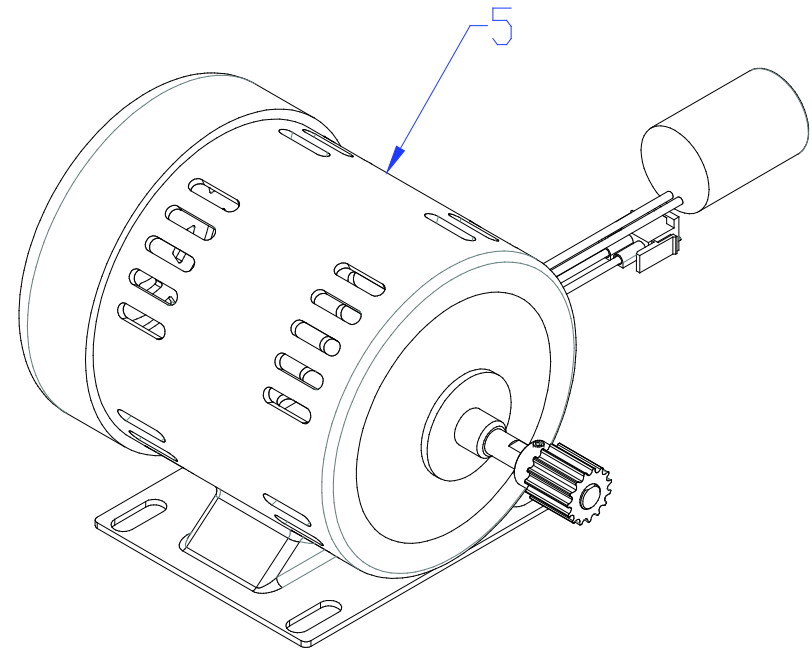
For 7718750/7718760 use the items below:

ITEM	GBC Part #	Canon Part #	DESCRIPTION	QTY
10	7718567	FC3-7434-000	BOARD, ALIGNMENT, SWITCHABLE	1

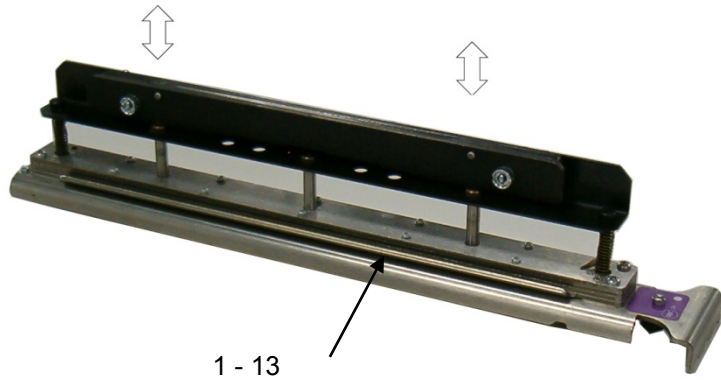
PL 4.10. Punch Module– AC Motor



ITEM	GBC Part #	Canon Part #		DESCRIPTION	QTY
1	1821807	FC3-6883-000		WASHER, SPLIT LOCK, M8	4
2	1822113	FC3-6889-000		WASHER, FLAT, 8X14X0.5	4
3	1823602	FC3-6894-000		SET SCREW, NYLON PATCH, M4X6	1
4	1824703	FC3-6907-000		SCREW, HEX CAP, M8, 16MM LONG	4
5	7715860	FC3-7081-000	115V	MOTOR AND PULLEY, PUNCH, 115V, SERVICE	1
	7715861	FC3-7082-000	230V	MOTOR AND PULLEY, PUNCH, 230V, SERVICE	1



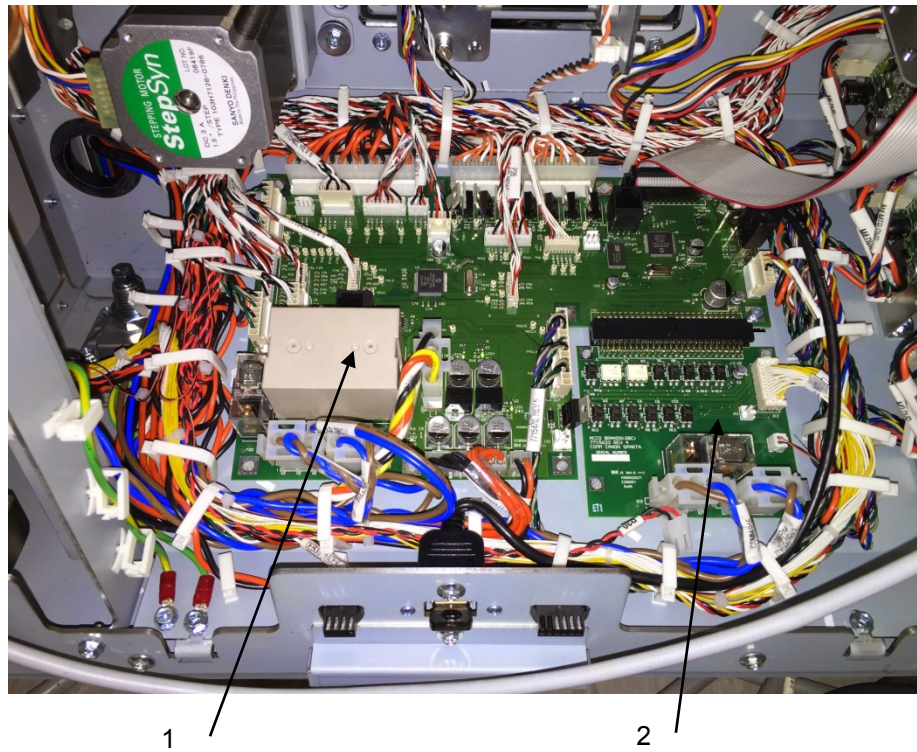
PL 4.11. Punch Module– Die Sets



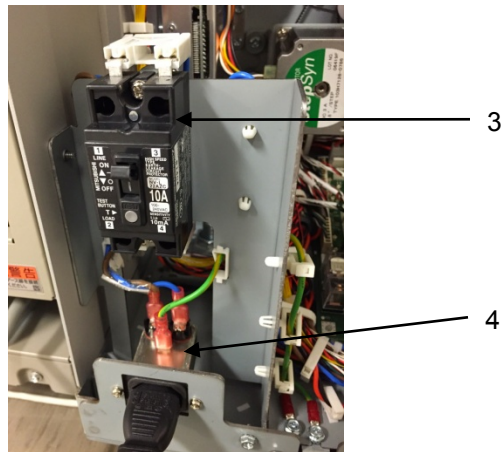
ORDER THESE DIE-SETS THROUGH CANON SUPPLIES

ITEM	DESCRIPTION
1	Die, Comb Bind
2	Die, Wire 3.1 Sq
3	Die, Wire 2.1 Sq.
4	Die, Wire, 3:1, Rnd.
5	Die, Wire, 2:1, Rnd.
6	Die, Coil, Rnd.
7	Die, Velobind®, 11 Holes, Ltr.
8	Die, Velobind®, 12 Holes, A4
9	Die, 3 Hole, 8mm
10	Die, 3/5/7 Hole, 8mm
11	Die, 4 Hole, 8mm
12	Die, 4 Hole, 6.5mm
13	Die, 4 Hole, Scan

PL 5.1. Electronics PCB Assembly



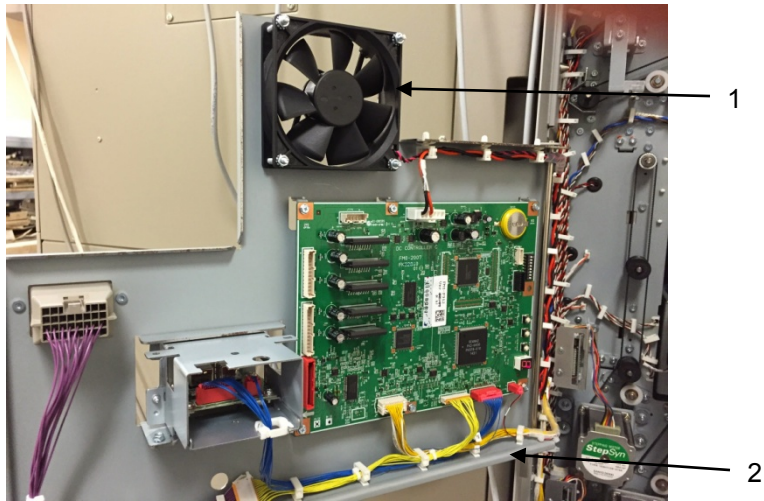
ITEM	GBC Part #	Canon Part #	DESCRIPTION	QTY
1	7718575	FC3-6944-000	CONTROL BOARD, MAIN, SERVICE	1
2	7715633	FC3-7045-000	BOARD, COMMUNICATION,	1
3	7710392	FC3-6618-000	ELCB, 10A, MITSUBISHI	1
4	6195001	FC3-6571-000	RFI POWER FILTER	1



For 7718750/7718760 use the items below:

ITEM	GBC Part #	Canon Part #	DESCRIPTION	QTY
1	7718652	FC3-7435-000	MAIN CONTROLLER PCB ASS'Y	1

PL 5.2. OPCON, Exhaust fan, Lattice connector assembly



ITEM	GBCPart #	Canon Part #	DESCRIPTION	QTY
1	7715267	FC3-6967-000	FAN, EXHAUST	1
2	7715364	FC3-6986-000	BRACKET, TRANSCEIVER, OPCON, FAN	1
3	7715362	FC3-6984-000	CABLE, LATTICE	1



PL 6.1. Installation Kit Parts

ITEM	GBC Part #	Canon Part #		DESCRIPTION	QTY
1	6200001	FC3-6910-000	115V	POWER CORD, US, 115V	1
2	6200002	FC3-6911-000	230V	POWER CORD, EUROPE	1
3	6200014	FC3-6912-000	230V	POWER CORD, UK,	1
4	6200015	FC3-6913-000	230V	POWER CORD, SWISS	1
5	7715669	FC3-7059-000		BRACKET ASSY, DOCKING	2
6	7715655	FC3-7054-000		BRACKET, PIN, ASM, LOCATION	1
7	7708460	FC3-3931-000		SHUNT CABLE	1
8	7715818	FC3-7071-000		WIRE SADDLE, MEDIUM, LOCKING TOP, V-0	2
9	7715935	FC3-7093-000		CABLE, LAN, COMMUNICATION	1

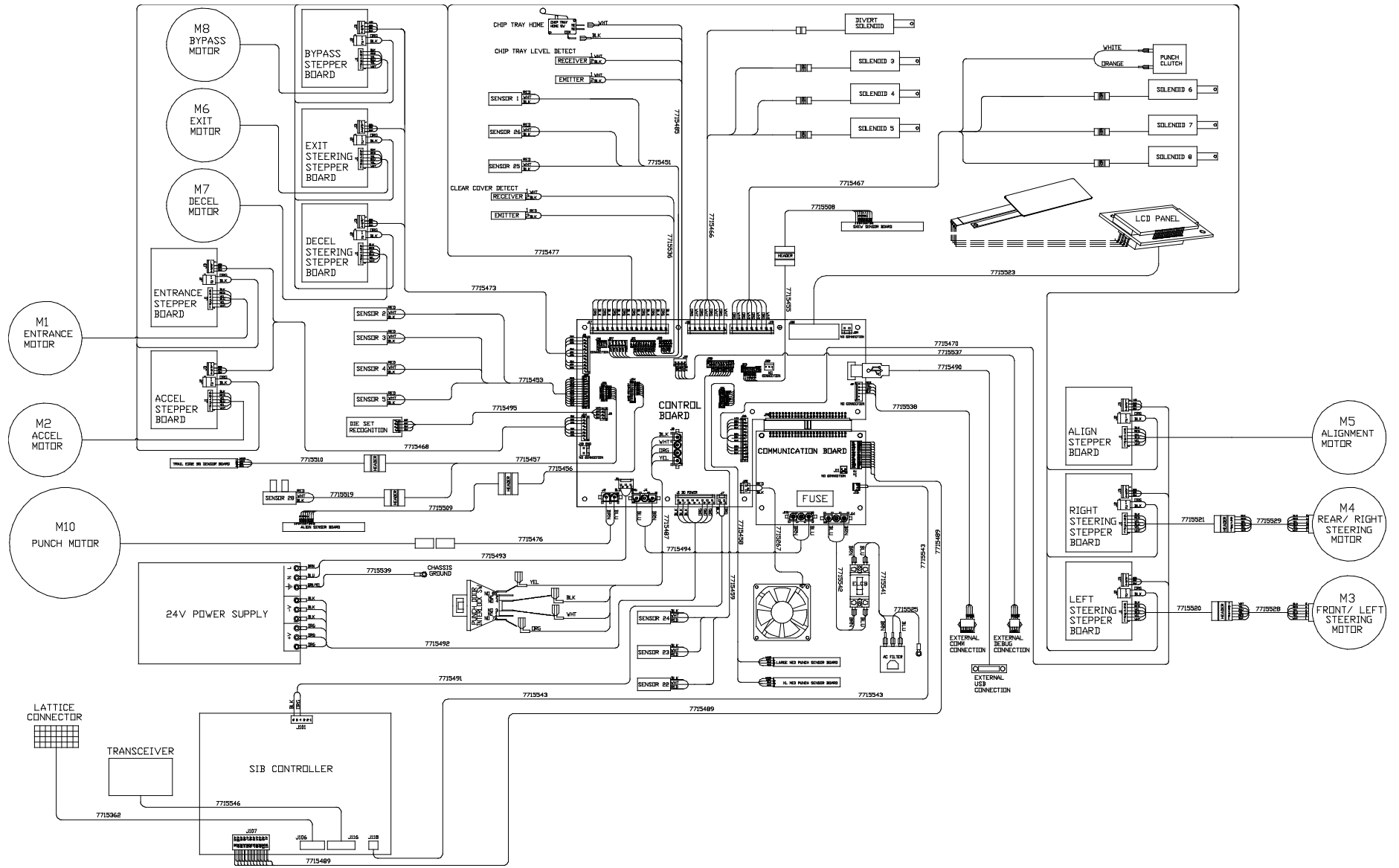
PL 7.1. Cable Part Number Index

Refer to the Wiring drawing on the next page to locate the cables

GBC Part #	Canon Part #	DESCRIPTION
7715451	FC3-6997-000	CABLE, SENSORS S1,S25, S26
7715453	FC3-6998-000	CABLE, SENSORS, ENTRY
7715455	FC3-6999-000	CABLE, SENSORS, SKER, BRD TO HDR
7715456	FC3-7000-000	CABLE, SENSORS, ALIGN, BRD TO HDR
7715457	FC3-7001-000	CABLE, SENSORS, BG & ALGN HM, BRD TO HDR
7715458	FC3-7002-000	CABLE, SENSORS, MID BG L & XL
7715459	FC3-7003-000	CABLE, SENSORS, EXIT
7715466	FC3-7004-000	CABLE, SOLENOIDS, ENTRY, BRD TO HDR
7715467	FC3-7005-000	CABLE, SOLENOIDS, EXIT, BRD TO HDR
7715468	FC3-7006-000	CABLE, ENTRANCE & ACCEL, DRIVER
7715470	FC3-7007-000	CABLE, ALIGN & STEERING DRIVER
7715473	FC3-7008-000	CABLE, EXIT, DECEL & BYPASS DRIVER
7715476	FC3-7009-000	CABLE, PUNCH MOTOR
7715477	FC3-7010-000	CABLE, POWER, STEPPER DRIVERS
7715485	FC3-7011-000	CABLE, CHIP TRAY
7715487	FC3-7012-000	CABLE, DOOR INTERLOCK
7715489	FC3-7013-000	CABLE, COMS, INTERNAL, SIB
7715490	FC3-7014-000	CABLE, USB
7715491	FC3-7015-000	CABLE, POWER, SIB
7715492	FC3-7016-000	CABLE, DC POWER
7715493	FC3-7017-000	CABLE, AC TO PSU

GBC Part #	Canon Part #	DESCRIPTION
7715494	FC3-7018-000	CABLE, AC TO BOARD
7715495	FC3-7019-000	CABLE, DIE SET RECOGNITION
7715508	FC3-7020-000	CABLE, SKEW, HDR TO SENSOR
7715509	FC3-7021-000	CABLE, ALIGN, HDR TO SENSOR
7715510	FC3-7022-000	CABLE, BG, HDR TO SENSOR
7715519	FC3-7023-000	CABLE, ALIGN HOME, HDR TO SENSOR
7715520	FC3-7024-000	CABLE, LEFT STEER, DRV TO HDR
7715521	FC3-7025-000	CABLE, RIGHT STEER, DRV TO HDR
7715523	FC3-7026-000	CABLE, LCD
7715525	FC3-7027-000	CABLE, AC FILTER, GROUND
7715528	FC3-7029-000	CABLE, STEERING MOTOR, MTR TO HDR, FRONT
7715529	FC3-7030-000	CABLE, STEERING, MOTOR, MTR TO HDR, REAR
7715536	FC3-7031-000	CABLE, THRU BEAM, CLEAR COVER
7715541	FC3-7034-000	CABLE, AC FILTER TO ELCB
7715542	FC3-7035-000	CABLE, ELCB TO AC CONTROL
7715537	FC3-7032-000	CABLE, DEBUG TO PANEL
7715538	FC3-7033-000	CABLE, COMM TO PANEL
7715539	FC3-6978-000	CABLE, GROUND, PSU TO CHASSIS
7715362	FC3-6984-000	CABLE, LATTICE, CANON
7715543	FC3-7036-000	CABLE, VRMT, REMOTE, 24V
7715546	FC3-7037-000	CABLE, TRANSCEIVER, CANON

Wiring Drawing



Part Number Index

Part #	DESCRIPTION	PL
1823901	SCREW, PHILLIPS HX HD W/SEMS, M3X6	1.2
		2.2
		4.1
		4.3
		4.5
1824001	NUT, KEPS M4	1.2
		2.2
		2.3
		4.1
7610501	INTERLOCK SWITCH	1.2
		2.8
7706447	MAGNET, FRONT DOOR	1.2
7706486	LATCH, PUSH TO CLOSE	1.2
7708226	LOCK CLAW	1.2
7715267	FAN, EXHAUST	1.2
		5.2
7715297	COVER, REAR, ASSEMBLY	1.2
7715298	COVER, SIDE, UPSTREAM, REAR,	1.2
7715303	COVER, SIDE, DOWNSTREAM, REAR	1.2
7715314	FRONT DOOR ASSEMBLY	1.2
7715316	COVER, SIDE, DOWNSTREAM, FRONT	1.2
7715325	BRACKET, INTERLOCK, FRONT DOOR	1.2
7715328	BRACKET, MOUNT, ELCB	1.2
7715349	BRACKET, FRONT DOOR MOUNT	1.2
7715351	BRACKET, FRONT DOOR HINGE	1.2
7715354	COVER, TOP, ASSEMBLY	1.2
PL 3.5	UPPER BYPASS PANEL	2.1
PL 3.2	ENTRANCE IDLER PANEL	2.1
PL 3.1	ENTRANCE DRIVE PANEL	2.1
PL 3.3	ACCELERATION IDLER PANEL	2.1
PL 3.4	EXIT IDLER PANEL	2.1
7715101	PANEL, ENTRANCE, LOWER	2.1
7715102	PANEL, ENTRANCE, INNER	2.1

Part #	DESCRIPTION	PL
7715146	PANEL, EXIT, LOWER	2.1
7715153	PANEL, EXIT, INNER	2.1
7718629	PANEL ASSEMBLY, LOWER, FRONT REMOVE, EXIT	2.1
7715209	SHAFT, IDLER PANEL HINGE	2.1
7715210	SHAFT, IDLER PANEL HINGE, LONG	2.1
7718619	SHAFT, IDLER PANEL HINGE, OFFSET GROOVE, LONG	2.1
7715251	BRACKET, IDLER PANEL MOUNT	2.1
7715927	PANEL WELDMENT, DRIVE, EXIT	2.1
7715929	PANEL WELDMENT, BYPASS, LOWER	2.1
1821209	SNAP-IN BEARING, 6MM ID	2.1
		2.2
		2.3
1822202	E-RING, JE-5	2.2
		2.3
		2.4
		4.5
		2.2
1823709	JAM NUT, M16X2.0	2.2
1823909	SCREW, PHILLIPS HX HD W/SEMS M4 X 6	2.2
7715184	DIE RACK	2.2
7715195	MAGNET, PANEL, OPEN, STRONG	2.2
7715215	HANDLE, ACCEL IDLER LATCH	2.2
7715385	MAGNET, BRACKET, ASSY	2.2
7715618	CHIP TRAY, ASSEMBLY	2.2
7715635	LATCH, UPPER BYPASS OPEN	2.2
7715637	POWER SUPPLY, 24V, MW SP 480,	2.2
		2.5
7715789	MAGNET, PANEL, OPEN, WEAK	2.2
7715824	CAP, RUBBER, RAIN BLUE	2.2
		3.2
		3.3
		3.4
		3.5
7715840	PLATE, UPPER BYPASS, RELEASE LATCH	2.2

Part #	DESCRIPTION	PL
1823913	SCREW, PHILLIPS HX HD W/SEMS, M3 X 8	2.2
		4.3
7715379	SPRING, STEERING IDLER ROLLERS	2.2
		4.4
1821607	SCREW, PHILIPS PAN HD M4X20	2.3
1821611	SCREW, PHILLIPS HD W/SEMS, M3X10	2.3
1822005	WASHER, FLAT, 6.025 X 8 X 0.75	2.3
		2.4
1823910	SCREW, PHILLIPS HX HD W/SEMS M4 X 14	2.3
1825501	RETAINING RING, 6MM SHAFT	2.3
1902863	SCREW, MACHINE PAN #4-40X15/32 PHILLIPS	2.3
1925044	WSHR, .192 ID X .625 OD X .060 T	2.3
1952208	SPACER, TIMING BELT IDLERS, BRONZE	2.3
1954011	GROMMET, 3/8 I.D X 1/2 O.D	2.3
1954032	GROMMET, 1 1/4 I.D. X 1 1/2 O.D.	2.3
7710392	ELCB, 10A, MITSUBISHI	2.3
		2.1
7712703	WIRE HEADER CONNECTOR, 2 POS	2.3
7714679	GROUND STRAP, M4	2.3
		3.2
		3.3
		3.4
		3.5
7715185	BRACKET, PUNCH MODULE MOUNT	2.3
7715383	ROLLER, IDLER, DRIVE ASSY,	2.3
7715390	WIRE CLAMP, EDGE	2.3
7715445	WIRE CLAMP, EDGE, SMALL	2.3
7715643	SOLENOID, BRACKET, DIVERTER, SUB ASSY	2.3
7715818	WIRE SADDLE, MEDIUM, LOCKING TOP, V-0	2.3
		4.1
		6.1
7715819	WIRE SADDLE, LARGE, LOCKING TOP, V-0	2.3
7715817	WIRE SADDLE, SMALL, LOCKING TOP, V-0	2.3
7715093	ROLLER ASSY, DRIVE	2.4
	(USED FOR ALL ROLLERS EXCEPT N2)	2.4

Part #	DESCRIPTION	PL
7715097	ROLLER ASSY, ONE WAY CLUTCH DRIVE	2.4
	(USED IN N2 POSITION ONLY)	2.4
1821116	BEARING, BALL, FLANGE 6X13X5, SUJ2	2.4
7706532	BEARING BALL FLANGE	2.4
1925222	WASHER FLAT, 1/4X3/8X1/32	2.4
7715862	ONE WAY CLUTCH SUB ASSY, SERVICE	2.4
1822108	WASHER, FLAT, 4.1X8X1.5	2.5
		3.1
1823911	SCREW, PHILLIPS HX HD W/SEMS M4 X 10	2.5
		4.1
7711970	EMITTER	2.5
		2.7
		3.2
7711973	RECEIVER	2.5
		2.7
		2.7
		3.1
7715131	BYPASS DIVERTER	2.5
7715186	CHIP TRAY SENSOR MOUNT ASSY	2.5
		2.8
7715213	SHAFT, ACCEL IDLER LATCH	2.5
7715216	LATCH, ASSY, REAR, ACCEL IDLER PANEL	2.5
7715222	LATCH, ASSY, FRONT, ACCEL IDLER PANEL	2.5
7715159	Entrance motor	2.6
	STEPPER AND MOUNT ASSEMBLY	
7715159	Accel motor	2.6
	STEPPER AND MOUNT ASSEMBLY	
7715159	Exit motor	2.6
	STEPPER AND MOUNT ASSEMBLY	
7715159	Decel motor	2.6
	STEPPER AND MOUNT ASSEMBLY	
7715159	Bypass motor	2.6
	STEPPER AND MOUNT ASSEMBLY	
7715275	M1 Stepper Driver	2.6
	DRIVER AND BRACKET ASSY, TWO PHASE	

Part #	DESCRIPTION	PL
7715275	M2 Stepper Driver	2.6
	DRIVER AND BRACKET ASSY, TWO PHASE	
7715275	M6 Stepper Driver	2.6
	DRIVER AND BRACKET ASSY, TWO PHASE	
7715275	M7 Stepper Driver	2.6
	DRIVER AND BRACKET ASSY, TWO PHASE	
7715275	M8 Stepper Driver	2.6
	DRIVER AND BRACKET ASSY, TWO PHASE	
7715275	M3 Stepper Driver	2.6
	DRIVER AND BRACKET ASSY, TWO PHASE	
7715275	M4 Stepper Driver	2.6
	DRIVER AND BRACKET ASSY, TWO PHASE	
7715275	M5 Stepper Driver	2.6
	DRIVER AND BRACKET ASSY, TWO PHASE	
7715627	SENSOR & BRACKET ASSEMBLY, S1	2.7
		3.5
7715291	Entrance Sensor, Top	2.7
	Entrance Sensor, Middle	2.7
	Entrance Sensor, Bottom	2.7
	Accel Sensor	2.7
	Exit Sensor, Bottom	2.7
	Exit Sensor, Middle	2.7
	Exit Sensor, Top	2.7
	Exit Sensor	2.7
	Bypass Sensor, Middle	2.7
	SENSOR AND BRACKET ASSEMBLY	3.2
		3.3
		3.4
		3.5
3.5		
7715692	Skew Sensor Board	2.7
		4.2
		4.4
7715694	BOARD ASSY, ALIGNMENT SENSOR	2.7
		4.2
		4.9
7715696	Mid Punch X- Large, Sensor Board Backage Sensor	2.7

Part #	DESCRIPTION	PL
	Board Assy	2.7
		2.7
7715696	Mid Punch X- Large, Sensor Board Backage Sensor Board Assy	3.1
		3.1
		4.2
		4.9
7715597	SENSOR, VEIN, BRACKET, SUB ASSEMBLY	2.7
		4.3
7715774	EMITTER ASSY, CLEAR COVER SENSOR	2.7
		3.2
		2.8
7715595	Diverter Subassembly	2.8
7715020	CLUTCH, WRAP SPRING,	2.8
		4.7
7715223	Entrance Idler Solenoid, Middle	2.8
	Entrance Idler Solenoid, Bottom	2.8
	Acceleration Roller Solenoid	2.8
	Exit Idler Solenoid, Bottom	2.8
	Exit Idler Solenoid, Middle	2.8
	Exit Idler Solenoid, Top	2.8
	MODULE,SOLENOID,DISENGAGE ROLLER	3.2
3.3		
3.4		
3.6		
7715202	BELT, 534T, 2MM 2GT	2.9
7715204	PULLEY, TIMING, 2MM 2GT, 30 GROOVES	2.9
7715206	BELT, 179T, 2MM 2GT	2.9
7715243	BELT, 150 T, 2MM 2GT	2.9
7715245	TENSIONER ASSEMBLY	2.9
7715246	BELT, 134T, 2MM 2GT	2.9
1824002	NUT, KEPS, M3	3.1
		3.5
		4.3
		4.4
		4.5
		4.8

Part #	DESCRIPTION	PL
		4.9
7715881	PANEL WELDMENT, DRIVE, ENTRANCE	3.1
1822117	WASHER, 3.2ID, 8OD, 0.75MM THICK	3.1
		3.5
		4.4
		4.9
1823903	SCREW, PHILLIPS, HX HD M4X8	3.1
		4.1
7715103	ROLLER ASSY, IDLER	3.2
		3.3
		3.4
		3.5
7715380	SPRING, TRANSPORT IDLER ROLLERS	3.2
		3.3
		3.4
		3.5
7715382	BEARING HOUSING ASSY	3.2
		3.3
		3.4
		3.5
7715625	WIRE SADDLE, SHORT	3.2
		3.3
		3.4
7715629	SCREW, BARREL, M4, 7MM DEEP	3.2
		3.3
		3.4
		3.5
7715639	WIRE SADDLE, SMALL, SIDE OPENING	3.2
		3.4
7715825	HANDLE ASSY, IDLER PANELS	3.2
		3.4
7715883	PANEL WELDMENT, IDLER, ENTRANCE	3.2
7718593	BRUSH, ANTI STATIC, SUS, LONG	2.1
7718594	BRUSH, ANTI STATIC, SUS, SHORT	3.5

Part #	DESCRIPTION	PL
7718627	PANEL WELDMENT, IDLER, BRUSH PLATE, ENTRANCE	3.3
7718626	BRUSH PLATE, WITH BRUSH, SERVICE	
7715884	PANEL WELDMENT, IDLER, EXIT, SERVICE	3.4
7715833	HANDLE ASSY, UPPER BYPASS	3.5
7715882	PANEL WELDMENT, BYPASS, UPPER	3.5
7715010	PUNCH MODULE, ASSY, 115V	4.1
7715009	PUNCH MODULE, ASSY, 230V	4.1
1821118	BEARING, BALL, FLANGE, 12X24X6, SUJ2	4.1
1821215	BEARING, CLIP, 12MM	4.1
1821802	Spring washer M4	4.1
1821532	SCREW, SHCS, M4 X 12	4.1
1822016	WASHER, NYLON, ID 12.7, OD 19, 1.5MM THK	4.1
1822205	E-RING, JE-10	4.1
1823203	SCREW, SOCKET HD, M5, 6MM SHOULDER	4.1
1824003	NUT, KEPS, M6	4.1
7715033	STEERING MODULE SUB ASSY	4.1
7715237	SHAFT, DIE LOCK	4.1
7715820	HANDLE, DIE LOCK	4.1
7715886	PUNCH MODULE SHELL, SERVICE	4.1
1821514	SHCS, M3X12	4.1
1821541	SCREW, SOCKET HD, M6, 35MM LONG	4.1
1821655	SCREW, PHILLIPS, PAN HD, M4X25	4.1
1825203	WIRE SADDLE, SNAP TYPE, SMALL, 3mm	4.1
1823701	NUT, HEX, M3	4.1
7715030	BRACKET, CLUTCH STUD	4.1
7715079	MOUNT PIN, PUNCH MODULE	4.1
7715662	BELT, TIMING, 96 GROOVE, 5MM HTD	4.1
7715663	BELT, TIMING, 92 GROOVE, 5MM HTD	4.1
7715238	BRACKET AND BEARING ASSY, DIE LOCK	4.1
7715239	PLUNGER & STRIPPER ASSY, DIE LOCK	4.1
7715320	MAGNET, DIE STOP	4.1
7715374	SPRING, DIE LOCK RETURN	4.1
7715014	WEAR PLATE, PUNCH CAM	4.1
7715857	Left / Front Steering Motor and Pulley.	4.2

Part #	DESCRIPTION	PL
	Right / Rear Steering Motor and Pulley.	4.2
	STEPPER MOTOR & PULLEY, STEERING, SERVICE	4.5
7715859	STEPPER MOTOR & PULLEY, ALIGNMENT, SERVICE	4.2
		4.6
7715779	GROUND STRAP, STEERING CARRIAGE	4.3
7715877	ALIGNMENT CARRIAGE, SUB ASSEMBLY, SERVICE	4.3
7706488	BEARING, DOUBLE "D" FLANGE	4.4
7715062	PANEL WELDMENT, IDLER, STEERING	4.4
7715648	WIRE CLAMP, LOCKING	4.4
		4.5
7715816	ROLLER ASSY, IDLER, STEERING	4.4
1822008	WASHER, FLAT, 6.4X12X1.5	4.5
7715039	ROLLER ASSEMBLY, DRIVE, STEERING	4.5
7715044	SHAFT, STEERING DRIVE	4.5
7715047	BELT, STEERING, 65 GROOVES, 2MM 2GT	4.5
7715053	PANEL WELDMENT, DRIVE, STEERING	4.5
7715377	SPRING, STEERING DRIVE ROLLER	4.5
7715777	SLEEVE, SPIRAL, STEERING MOTOR WIRES	4.5
1823906	SCREW, PHILLIPS HX HD W/SEMS M5 X 10	4.6
7715078	BRACKET, ALIGNMENT STEPPER MOUNT	4.6
1821531	SCREW, SHCS, M5X18	4.7
1821801	WASHER, SPLIT LOCK, M5	4.7
7715658	PULLEY AND FLANGE, 5MM HTD, 62T, ASSY	4.7
7715661	PULLEY AND FLANGE, 5MM HTD, 56T, ASSY	4.7
7715347	Board, ASM, Reader, Die Set Recognition	4.8
1821808	LOCK WASHER, SPLIT, M2	4.9
7715986	DIE RAIL, ASSEMBLY	4.9
7715032	BRACKET, BACKGAGE SENSOR, LOWER	4.9
7715080	BRACKET WELDMENT, BACKGAGE SENSOR	4.9
7715990	BRACKET WELDMENT, ALIGNMENT SENSOR,	4.9
7715988	GUIDE, ALIGNMENT SENSOR, BOTTOM	4.9
7715640	WIRE SADDLE, SHORT, ALIGN SENSOR WIRES	4.9
7715787	SPRING, DIE RAIL, POSITION, 1	4.9
7715799	SPRING, DIE RAIL, POSITION, 2	4.9
7715985	GUIDE, CHIP DEFLECTOR, FLEXIBLE	4.9

Part #	DESCRIPTION	PL
1821807	WASHER, SPLIT LOCK, M8	4.10
1822113	WASHER, FLAT, 8X14X0.5	4.10
1823602	SET SCREW, NYLON PATCH, M4X6	4.10
1824703	SCREW, HEX CAP, M8, 16MM LONG	4.10
7715860	MOTOR AND PULLEY, PUNCH, 115V, SERVICE	4.10
7715861	MOTOR AND PULLEY, PUNCH, 230V, SERVICE	4.10
7718575	CONTROL BOARD, MAIN, SERVICE	5.1
7715633	BOARD, COMMUNICATION,	5.1
6195001	RFI POWER FILTER	5.1
7715364	BRACKET, TRANSCEIVER, OPCON, FAN	5.2
7715362	CABLE, LATTICE	5.2
		7.1
6200001	POWER CORD, US, 115V	6.1
6200002	POWER CORD, EUROPE	6.1
6200014	POWER CORD, UK,	6.1
6200015	POWER CORD, SWISS	6.1
7715669	BRACKET ASSY, DOCKING	6.1
7715655	BRACKET, PIN, ASM, LOCATION	6.1
7708460	SHUNT CABLE	6.1
7715935	CABLE, LAN, COMMUNICATION	6.1
7715451	CABLE, SENSORS S1, S25, S26	7.1
7715453	CABLE, SENSORS, ENTRY	7.1
7715455	CABLE, SENSORS, SKER, BRD TO HDR	7.1
7715456	CABLE, SENSORS, ALIGN, BRD TO HDR	7.1
7715457	CABLE, SENSORS, BG & ALGN HM, BRD TO HDR	7.1
7715458	CABLE, SENSORS, MID BG L & XL	7.1
7715459	CABLE, SENSORS, EXIT	7.1
7715466	CABLE, SOLENOIDS, ENTRY, BRD TO HDR	7.1
7715467	CABLE, SOLENOIDS, EXIT, BRD TO HDR	7.1
7715468	CABLE, ENTRANCE & ACCEL, DRIVER	7.1
7715470	CABLE, ALIGN & STEERING DRIVER	7.1
7715473	CABLE, EXIT, DECEL & BYPASS DRIVER	7.1
7715476	CABLE, PUNCH MOTOR	7.1
7715477	CABLE, POWER, STEPPER DRIVERS	7.1
7715485	CABLE, CHIP TRAY	7.1

Part #	DESCRIPTION	PL
7715487	CABLE, DOOR INTERLOCK	7.1
7715489	CABLE, COMS, INTERNAL, SIB	7.1
7715490	CABLE, USB	7.1
7715491	CABLE, POWER, SIB	7.1
7715492	CABLE, DC POWER	7.1
7715493	CABLE, AC TO PSU	7.1
7715494	CABLE, AC TO BOARD	7.1
7715495	CABLE, DIE SET RECOGNITION	7.1
7715508	CABLE, SKEW, HDR TO SENSOR	7.1
7715509	CABLE, ALIGN, HDR TO SENSOR	7.1
7715510	CABLE, BG, HDR TO SENSOR	7.1
7715519	CABLE, ALIGN HOME, HDR TO SENSOR	7.1
7715520	CABLE, LEFT STEER, DRV TO HDR	7.1

Part #	DESCRIPTION	PL
7715521	CABLE, RIGHT STEER, DRV TO HDR	7.1
7715523	CABLE, LCD	7.1
7715525	CABLE, AC FILTER, GROUND	7.1
7715528	CABLE, STEERING MOTOR, MTR TO HDR, FRONT	7.1
7715529	CABLE, STEERING, MOTOR, MTR TO HDR, REAR	7.1
7715536	CABLE. THRU BEAM, CLEAR COVER	7.1
7715541	CABLE, AC FILTER TO ELCB	7.1
7715542	CABLE, ELCB TO AC CONTROL	7.1
7715537	CABLE, DEBUG TO PANEL	7.1
7715538	CABLE, COMM TO PANEL	7.1
7715539	CABLE, GROUND, PSU TO CHASSIS	7.1
7715543	CABLE, VRMT, REMOTE, 24V	7.1
7715546	CABLE, TRANSCEIVER, CANON	7.1

Electrical Part Locator

The following table lists each electrical part by component number and location.

Component #	Location
DRV M1	PL.2.6
DRV M2	PL.2.6
DRV M3	PL.2.6
DRV M4	PL.2.6
DRV M5	PL.2.6
DRV M6	PL.2.6
DRV M7	PL.2.6
DRV M8	PL.2.6
FAN1	PL1.2
F1	PL 5.2, PL 5.3
M1	PL.2.6
M2	PL.2.6
M3	PL 2.5 PL 2.6 PL 4.3 PL 4.6
M4	PL 2.5 PL 2.6 PL 4.3 PL 4.6
M5	PL 2.6 PL 4.2, PL 4.3
M6	PL.2.6
M7	PL.2.6
M8	PL.2.6
M10	PL 2.6 PL 4.2 PL 4.11
PL 3.3	ACCELERATION IDLER PANEL
PL 3.4	EXIT IDLER PANEL

Component #	Location
7715101	PANEL, ENTRANCE, LOWER
7715102	PANEL, ENTRANCE, INNER
PA1	PL 2.1
S1	PL.2.7
S1B	PL.2.7
S2	PL.2.7
S3	PL.2.7
S4	PL.2.5
S4	PL.2.5
S6	PL.2.5 PL 2.7 PL 4.3 PL 4.5
S7	PL.2.5 PL 2.7 PL 4.3 PL 4.5
S8	PL.2.5 PL 2.7 PL 4.3 PL 4.5
S9	PL.2.5 PL 2.7 PL 4.3 PL 4.5
S10	PL.2.5 PL 2.7 PL 4.3 PL 4.5

Component #	Location
S11	PL.2.5
S12	PL.2.5
S13	PL.2.5
S14	PL.2.5
S15	PL.2.5
S16	PL 2.5 PL.2.7 PL 4.3 PL 4.10
S17	PL 2.5 PL.2.7 PL 4.3 PL 4.10
S18	PL 2.5 PL 2.7 PL 3.1
S19	PL 2.5 PL 2.7 PL 3.1
S20	PL 2.5 PL 2.7 PL 3.1
S21	PL 2.5 PL 2.7 PL 3.1
S22	PL.2.7
S23	PL.2.7
S24	PL.2.7
S25	PL.2.7
S26	PL.2.7

Component #	Location
S27	PL.2.1
S28	PL.2.7
S29	PL.2.7
SOL 1	PL.2.4
SOL 2	PL.2.8 PL 4.8
SOL 3	PL.2.8 PL 3.3
SOL 4	PL.2.8 PL 3.3
SOL 5	PL.2.8
SOL 6	PL.2.8 PL 3.4
SOL 7	PL.2.8 PL 3.4
SOL 8	PL.2.8 PL 3.4
SW1	PL 1.1
SW2	PL.2.8
SW3	PL1.2
SW4	PL 1,2 PL.2.8
PS1	PL 2.1